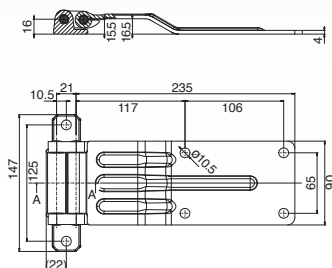




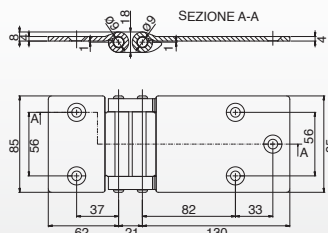
## Double Knuckle Hinge SS

270 x 90 x 4mm. **HGSS90P12010**



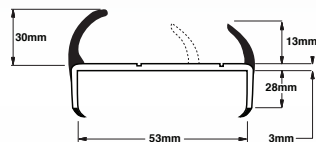
## Recessed Double Knuckle Hinge SS

217 x 85mm x 4mm. **HGSS90L12100**



## H Section Truck Door Seal

53mm x 5m **COTS53**



Corner tabs to suit  
**COTSCTB**



## Vents for Motorhomes and Vans

### Plastic Frame

Easy to operate crank, positions dome at any angle. Weatherstrip for positive seal. Wire gauze screen. 14 x 14 plastic/smoke top vent.

**VTE14PSA** – standard roof thickness 30-60mm.

**VTE14PSA2** – thick roof thickness 60-100mm.



### Powder Coated Metal Frame

Easy to operate crank handle. Weatherstrip for positive seal. Wire gauze screen. 14 x 14 plastic/smoke top vent.

**VTE14JMSA** – standard roof thickness 30-60mm.

**VTE14JMSA2** – thick roof thickness 60-100mm.



## Widney Blinds

Commercial blind manufacturer to the bus, coach, train & tractor industries.

A range of scissor blinds from as little as \$166. All with 610mm drop.

546mm width **BLSC546D**

813mm width **BLSC813D**

900mm width **BLSC900D**

1066mm width **BLSC1066D**

**Widney**



**redflag™**

## Tool Box Powder Coated

**TBPC500**

500L x 350H x 400D.



## Spare part locks

This standard size Stainless steel drop T can fit many situations. Rear fixing studs for extra security.

**LKSSRFDROPT**



**GHE HAPPICH**

*A Pelzer Family Company*

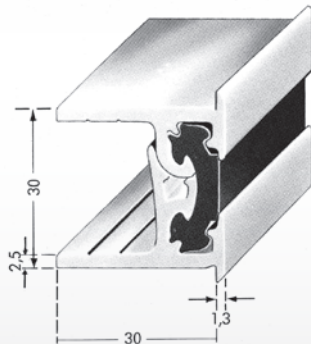
## Happich continuous hinge

3 parts make up this popular hinge and body profile.

Top hinge section **HGLOALT** comes in a 5m length.

Bottom hinge section **HGLOALB** comes in a 5m length.

Rubber hinge section **HGLOALR** sold per metre.



**GRAMMER**

## Maximo XL MSG95

**Base Only**

**MSG95AL** suspension base. Forward and aft isolator. Low frequency vibration technology. A replacement for most MSG95 suspension bases including A and G models.



**STGMAXXLSB**

Call Free

**0508 222 999** (AKLD)

**0508 333 111** (CHCH)

**REID & TWINAME**  
IMPORTERS & DISTRIBUTORS

\*Specials are until 30th September 2019 and whilst stocks last. Prices are Trade and ex warehouses and are exclusive of GST.

[www.retwine.co.nz](http://www.retwine.co.nz)