



Industrial
& Transport
Engineering
Supplies



A DIVISION OF

REID & TWINAME

IMPORTERS & DISTRIBUTORS

Call Free 0508 222 999 (AKLD) 0508 333 111 (CHCH)
www.retwine.co.nz

November 2020

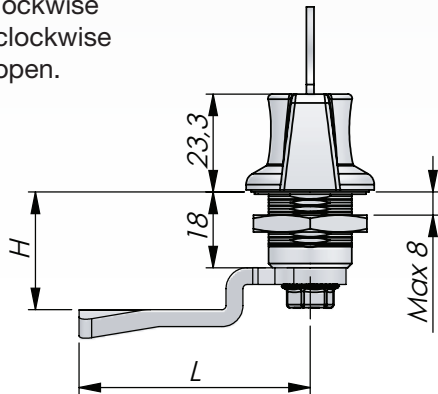
Proudly New Zealand owned since 1923

Industralias

Quarter Turn Wing Knob

- » Black textured Powder coated finish.
- » Lockable.
- » CAD file available.
- » IP65 water and dust proof.
- » Universal clockwise or counter clockwise rotation to open.

LKIQTL18



A cam is required and enables variance in the H measurement shown in the diagram. We have 3 options available.

- » **LKICAM0** gives an offset of zero, meaning the H is 18mm when used in conjunction with the LKIQTL18.
- » **LKICAM6** gives an offset of 6mm, taking "H" to 24mm.
- » **LKICAM12** gives an offset of 12mm, taking "H" to 30mm.
- » Cams are priced from \$1.



VERSUS
MIRRORS

Mirrors

MRVMC372185

- » Universal convex glass mirror.
- » 370mm x 185mm.
- » 16mm to 21mm slotted clamp mount.



MRVMAB207380

- » Short arm 207mm wide by 380mm high.
- » Mounting bracket 50mm hole centres.
- » 19mm tube diameter.



MRVMAB460380

- » Long arm 460mm wide by 380mm high.
- » Mounting bracket 50mm hole centres.
- » 19mm tube diameter.



Don't forget to follow us on facebook!

Find us on Reid & Twiname



Auckland: 7 Arthur Brown Place, Mt Wellington 1060 • PO Box 11 2230, Penrose, Auckland 1642
Christchurch: 15 Watts Road, Sockburn 8042 • PO Box 11 132, Sockburn, Christchurch 8443

HAPPICH

Caravan, camper or motorhome door lock

- » Lockable internally.
- » Suitable door thickness 25mm up to 39mm.
- » Black polypropylene finish.

LKCDL2



Door Hinge Low Profile 20mm Stainless Steel

- » Stainless steel 4mm thickness.
- » 233mm long, blade width 69mm, bracket width 86mm.
- » Seal step 75mm.
- » CAD file available.

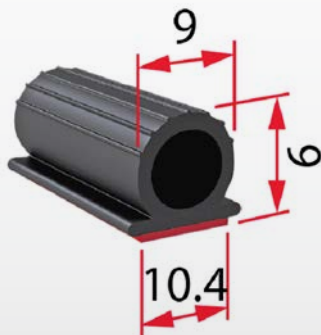
HG13302SS



Self Adhesive Thermoplastic Rubber Seal

- » 10.4mm x 9mm Diameter Bulb.
- » Sold in increments of 5m or 50m roll.

RBSATP95



redflag™

Stainless Steel Tool Box

- » 800mm x 500mm x 500mm.
- » on special @\$650.

TBSS800



VELCRO® Brand ONE-WRAP® Continuous

- » 19, 25 & 50mm.
- » Continuous double sided hook and loop.
- » Back to back fastening.
- » Re-usable and easy to cut to length from a 20m roll.

FAVOWC _ _



Call Free

0508 222 999 (AKLD)

0508 333 111 (CHCH)



*Specials are until 30th November 2020 and whilst stocks last. Prices are Trade and ex warehouses and are exclusive of GST.

www.retwine.co.nz