

Industrial
& Transport
Engineering
Supplies



A DIVISION OF

REID & TWINAME

IMPORTERS & DISTRIBUTORS

Call Free 0508 222 999 (AKLD) 0508 333 111 (CHCH)
www.retwine.co.nz

September/October 2021

Proudly New Zealand owned since 1923

NEW
PRODUCT



Mirrors

- » 1pce Universal Convex
280mm x 170mm.
- » 16mm – 22mm clamp.

MRVMC280170

- » 1pce Universal Convex
320mm x 190mm.
- » 16mm – 22mm clamp.

MRVMC320190

- » 1pce Universal Convex
370mm x 185mm.
- » 16mm – 22mm clamp.

MRVMC372185

- » 1pce Universal Convex
415mm x 225mm.
- » 16mm – 28mm clamp.

MRVMC415225

Mirror Brackets

- » Mirror Arm Bracket Heavy
Duty Short 187mm x
410mm x 19mm.

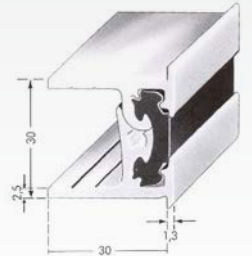
MRVMAB187410

- » Mirror Arm Bracket
Heavy Duty Long
435mm x 410mm
x 19mm.

MRVMAB435410



HAPPICH Continuous Alloy Rubber Hinge System



- » Provides continuous mould appearance along the side of the vehicle hiding the locker hinge.
- » 3 parts.
- » Priced by the metre and sold in 5m lengths.

Lower Hinge Profile HGLOALB

Upper Hinge Profile HGLOALT

Black EPDM Rubber Hinge Section

- » Sold by the metre.

HGLOALR



Drop T Handle Latch Stainless Steel Light Duty

- » 120 W x 125mm H.
- » Ideal for toolboxes.
- » Handle turns clockwise.
- » Front fixing.
- » Rubber seal.
- » Holes centres at 84 x 99mm.

LKSS502

Obsolete special
while stock lasts.

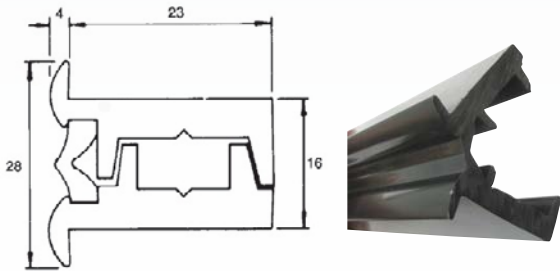


Industrial
& Transport
Engineering
Supplies

Auckland: 7 Arthur Brown Place, Mt Wellington 1060 • PO Box 11 2230, Penrose, Auckland 1642
Christchurch: 15 Watts Road, Sockburn 8042 • PO Box 11 132, Sockburn, Christchurch 8443

1 Piece Extruded Fused Continuous Hinge

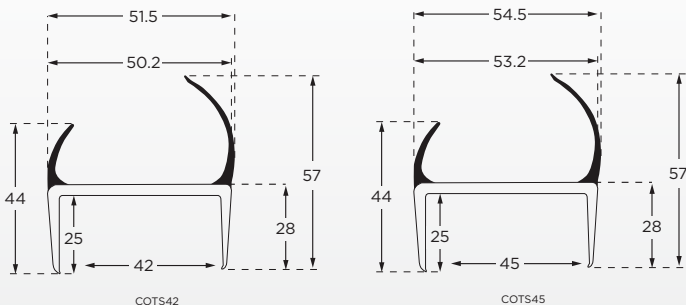
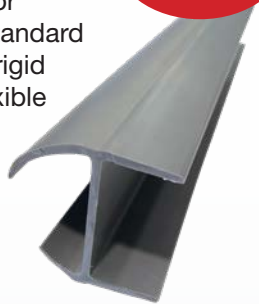
- » Co-extruded rigid profiles, fused with molten hinge membrane. Paintable rigid portions. Easy to fit, corrosion resistant, UV light stabilised, excellent flex life.
- » 3 stock lengths – **HGLOCF** 3m, **HGLOCF2** 2m, **HGLOCF16** 1.6m length.



H Section Grey Truck Door Seals

- » H section with 2 seals. Suitable for freezer applications. Freezer or standard truck body door seal made from rigid PVC carrier, co-extruded with flexible PVC seals. Sold in 5m lengths.
- » 42mm **COTS42**
- » 45mm **COTS45**
- » Priced for a 5m length.

NEW PRODUCT



Hydraulic Tank Polished Alloy 180L

- » Polished alloy hydraulic oil tank with heavy straddle brackets. Both tank top and remote filter fittings 1 1/4" BSPT fittings chassis facing. 775mm width x 550mm diameter.
- » Baffle fitted.

HTA180



Hydraulic Tank Polished Alloy Square 125L

- » Polished alloy hydraulic oil tank with heavy straddle brackets. Both tank top and remote filter fittings 2" BSPT fittings chassis facing.
- » 340mm width x 754mm deep x 751mm high.
- » Includes mounting bracket, tank top filter will be extra.
- » Comes complete with Filler Breather. Oil level indicator with thermometer.

HTAS125



Call Free

0508 222 999 (AKLD) **0508 333 111** (CHCH)