

Industrial
& Transport
Engineering
Supplies



A DIVISION OF

REID & TWINAME

IMPORTERS & DISTRIBUTORS

Call Free 0508 222 999 (AKLD) 0508 333 111 (CHCH)
www.retwine.co.nz

Dec 23/Jan 24



Tool Box Powder Coated

- » 1200L x 500H x 500D.
- » Stainless Steel Drop T Handles.
- » Dust Sealed.
- » Covered Lanyard.

TBPC1200



Low Profile Stainless Steel Door Hinge

- » Overall length 207mm. Blade length 165mm.
- » Blade width 62mm.
- » Base width 96mm.
- » Thickness 4mm.
- » Height 19mm.
- » Bushed pin. Hinge designed for truck or trailer body doors, either rear or side doors, suitable for trailer applications. Universal left or right hinge.

HGSS90P12300

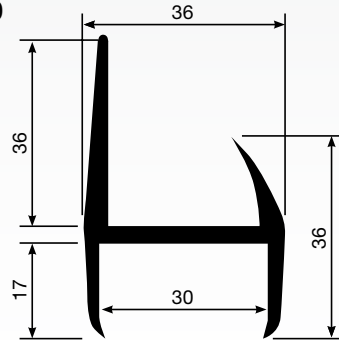


Proudly New Zealand owned since 1924

H Section Truck Door Seal

- » 30mm x 5m Grey.

COTS30



**NEW
PRODUCT**

INTRODUCTION SPECIAL

Our full range

J Section

- » Grey 2.5m length **COTSJ25**
- » Black 2.5m length **COTSJ25BK**
- » Grey 5m length **COTSJ50**
- » Black 5m length **COTSJ50BK**

H Section 20mm Grey

- » 20mm Grey.
- » 2.5 length **COTS2025**
- » 5m length **COTS2050**

H Section 25mm Grey

- » 2.5m length **COTS2525**
- » 5m length **COTS2550**

- » **42mm Grey** comes in 5m lengths.

- » **45mm Grey** comes in 5m lengths.

- » **53mm White with Black seal** comes in 5m lengths.

Plus we have 3 corner tabs options

- » 78mm long Grey **COTSCT**
- » 100mm long Grey **COTSCT100**
- » 78mm long Black **COTSCTB**



Auckland: 7 Arthur Brown Place, Mt Wellington 1060 • PO Box 11 2230, Penrose, Auckland 1642
Christchurch: 15 Watts Road, Sockburn 8042 • PO Box 11 132, Sockburn, Christchurch 8443

Over Centre Fasteners & Catches

LT701
LT701C
LT702
LT702C
LT703
LT703C



- » Zinc Plated.
- » These can be locked with a padlock.
- » 3 sizes with adjustable length of fastener to get desired tightness.
- » Check drawing on web or ask your area manager to see a sample.



Centrifugal Motor Fans

- » **HEBD** - 3 Speed, 2.2kg. 1050 m³/H Air Flow. 351 mm x 140 mm x 166 mm overall, Type 006-B40-22-24V.
- » **HEBD12** - 3 Speed, 1,8kg. 1050 m³/H Air Flow (max). 351 mm x 140 mm x 166 mm overall. Type 006-A39-22-12V.

HEBD and HEBD12



HEBDL

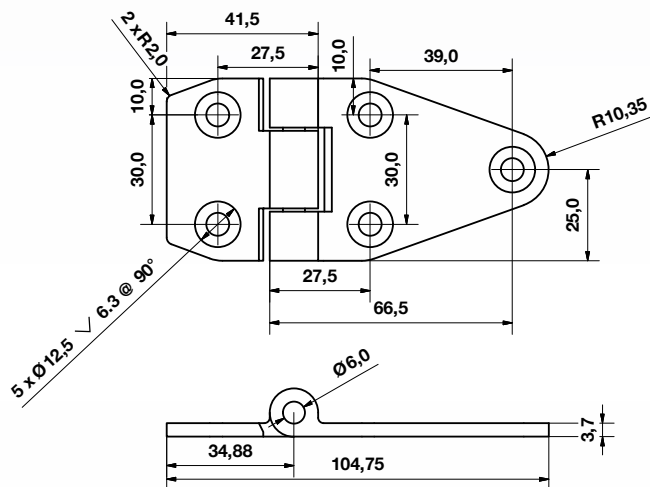
- » 3 Speed, 2.2kg. 1200 m³/H Air Flow. 351 mm x 140 mm x 166 mm overall. Type 009-B50-22-24V.



Maintenance Free Hinge

- » 250° Opening. Dimensions: 105mm long x 51mm wide.
- » Closed Profile: 14 mm.
- » Pin, Galvanised with metaloplast self lubricating bushes keep the hinge flaps working smoothly and prevents the use of lubrication.
- » European manufactured.

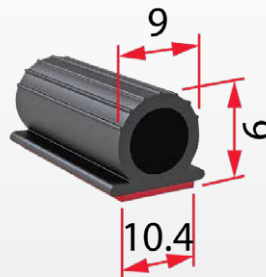
HGMF2



Self Adhesive Thermoplastic Rubber Seal

- » Acrylic double sided tape.
- » Sold by the 50m roll or in 5m increments.
- » Made from TPR – Thermoplastic Rubber, designed for hardwearing situations.

RBSATP95



Call Free

0508 222 999 (AKLD) 0508 333 111 (CHCH)

