



Industrial
& Transport
Engineering
Supplies



A DIVISION OF

REID & TWINAME

IMPORTERS & DISTRIBUTORS

Call Free 0508 222 999 (AKLD) 0508 333 111 (CHCH)
www.retwine.co.nz

May 2022

redflag™

Powder Coated Tool Box

- » 500mm
- » Square

TBPC500SQ



GHE **HAPPICH**

Caravan Door Lock

NZs most popular caravan & motor home door lock.
Lockable internally, Handle opens one direction only.

- » Cut out Size: 92mm x 92mm
- » Exterior Handle: 102mm x 102mm
- » Interior: 116mm x 55mm
- » Door Thickness: 25mm up to 39mm
- » Black

LKCDL2



Proudly New Zealand owned since 1923

Industralas

Lift Off Hinge

- » Black Rear Fixing
- » 80mm x 65mm Left Hand and Right Hand available

HGLOB__

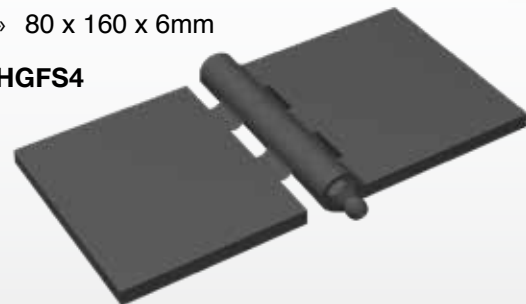


Industralas

Heavy Duty Weld On Hinge

- » Steel With Grease Nipple
- » 80 x 160 x 6mm

HGFS4



Kalori
Driver comfort

Electric Heater 24V 1.7kw

The first full electric under-seat heater on the market.
If you have a bus with no heaters under the seats you
can now install heating at an affordable price without the
hassle of running pipework and the issues that go with it.

HEKKELEC



Industrial
& Transport
Engineering
Supplies

Auckland: 7 Arthur Brown Place, Mt Wellington 1060 • PO Box 11 2230, Penrose, Auckland 1642
Christchurch: 15 Watts Road, Sockburn 8042 • PO Box 11 132, Sockburn, Christchurch 8443



Heater/Demister Replacement Motor

- » Dimensions: 360mm x 126mm x 235mm
- » Type 005-B45-02 24V
- » 540 m3/h air flow

HE9023B



Single Blower Motor Unit for HE9006 24v

- » #008-B100-93D 24V
- » 260m3/h air flow

HEBS



Replacement spare blower motors

- » Air flow 830m3/h
- » 3 speed fan
- » Very Long Life, Low Noise Motor
- » Sealed Ball Bearings 11,000 hours life (approx)

HEKNORDB



Centrifugal Motor Fans

- » 24v and 12V versions

HEBD & HEBD12



- » 24V Double Blower

HEBDL



Electric & Heated VM311 Series

- » Antler Style
- » White
- » 24V
- » The 311 Series replaces the older 309 series fitted to some NZ built coaches
- » Available in Left and Right Hand

MRVM311LHEH & MRVM311RHEH



Call Free

0508 222 999 (AKLD) **0508 333 111** (CHCH)



*Specials are until 31st May 2022 and whilst stocks last. Prices are Trade and ex warehouses and are exclusive of GST.

www.retwine.co.nz