

Chameleon



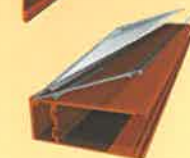
The Outdoor Blind
System

That changes to suit your needs

The Chameleon is a new design concept for outdoor blinds to fit the complete home or commercial installation.

With options including 'wire guide', 'side channel', 'glide lock fabric tension system', with or without head box, the Chameleon can be almost anything it wants to be in the outdoor screen market. It can be used in alfresco area, windows or skylights for climate control.

- ◆ Unique Single Extrusion Head Box giving the Chameleon a sophisticated look.
- ◆ New two piece Side Channel for 'blind' fixing to either face or reveal.
- ◆ Exclusive Glide Lock System for side channels to hold screen in channel on those windy days.
- ◆ Head box, Side Channel and Bottom Rail are fabricated from extruded aluminum for long life and smooth straight lines, powder coated or anodized to suit existing colour schemes.



Chameleon Componentry List – With Header Box

These are the components required for a 3m wide and 2.5m drop

Note – The bottom bar and roller tube are 6m in length so the excess 3m could be used for another 3m wide unit, all other components would need to be repeated

Product Code	Description	Quantity Required
AWART6	Aluminium Roller Tube – 6m length	1
AWDH11	Keyway Tube Drive End 70mm	1
AWGB61WT/BK	Llaza Gear Box	1
AWDH72	Gear Box Screws M6 40mm (S/S 304)	2
AWDH73	Nuts M6 (S/S 304)	4
AWDH12	Keyway Tube Idler End 70mm	1
AWDH9	Adjustable Idler Pin, Bracket and R Clip	1
AWDH71	Idler Screws M6 16mm (S/S 304)	2
AWCHB16	Head Box 6m	1
AWCHBECL	Head Box End Cap L/H	1
AWCHBECR	Head Box End Cap R/H	1
AWDH61	Head Box F/Cover Screws	2
AWDH62	Head Box Countersunk Screws	6
AWC10066	Side Channel Base 6m x 75mm	1
AWC10068	Side Channel Cover 6m x 75mm	1
AWDS3	Side Channel Felt Strip	10
AWCGL	Glide Lock for Side Channel 3 Metre Length	2
AWCGLG	Chameleon Glide Lock Top Guide	2
AWDB16	Bottom Rail 6m	1
AWDB26	Bottom Rail Cover 6m	1
AWDB4	SS Bottom Rail Wire	3
AWB10031	Bottom Lock Assembly	1
AWCH1500	Crank Handle 1500mm White	1



Chameleon Componentry List – No Header Box








These are the components required for a 3m wide and 2.5m drop






Note – The bottom bar and roller tube are 6m in length so the excess 3m could be used for another 3m wide unit, all other components would need to be repeated.

Product Code	Description	Quantity Required
AWART6	Aluminium Roller Tube – 6m length	1
AWGBKWT/BK	Llaza Gear Box Kit	1
AWC10066	Side Channel Base 6m x 75mm	1
AWC10068	Side Channel Cover 6m x 75mm	1
AWDS3	Side Channel Felt Strip	10
AWCGL	Glide Lock for Side Channel 3 Metre Length	2
AWCGLG	Chameleon Glide Lock Top Guide	2
AWDB16	Bottom Rail 6m	1
AWDB26	Bottom Rail Cover 6m	1
AWDB4	SS Bottom Rail Wire	3
AWB10031	Bottom Lock Assembly	1
AWCH1500	Crank Handle 1500mm White	1

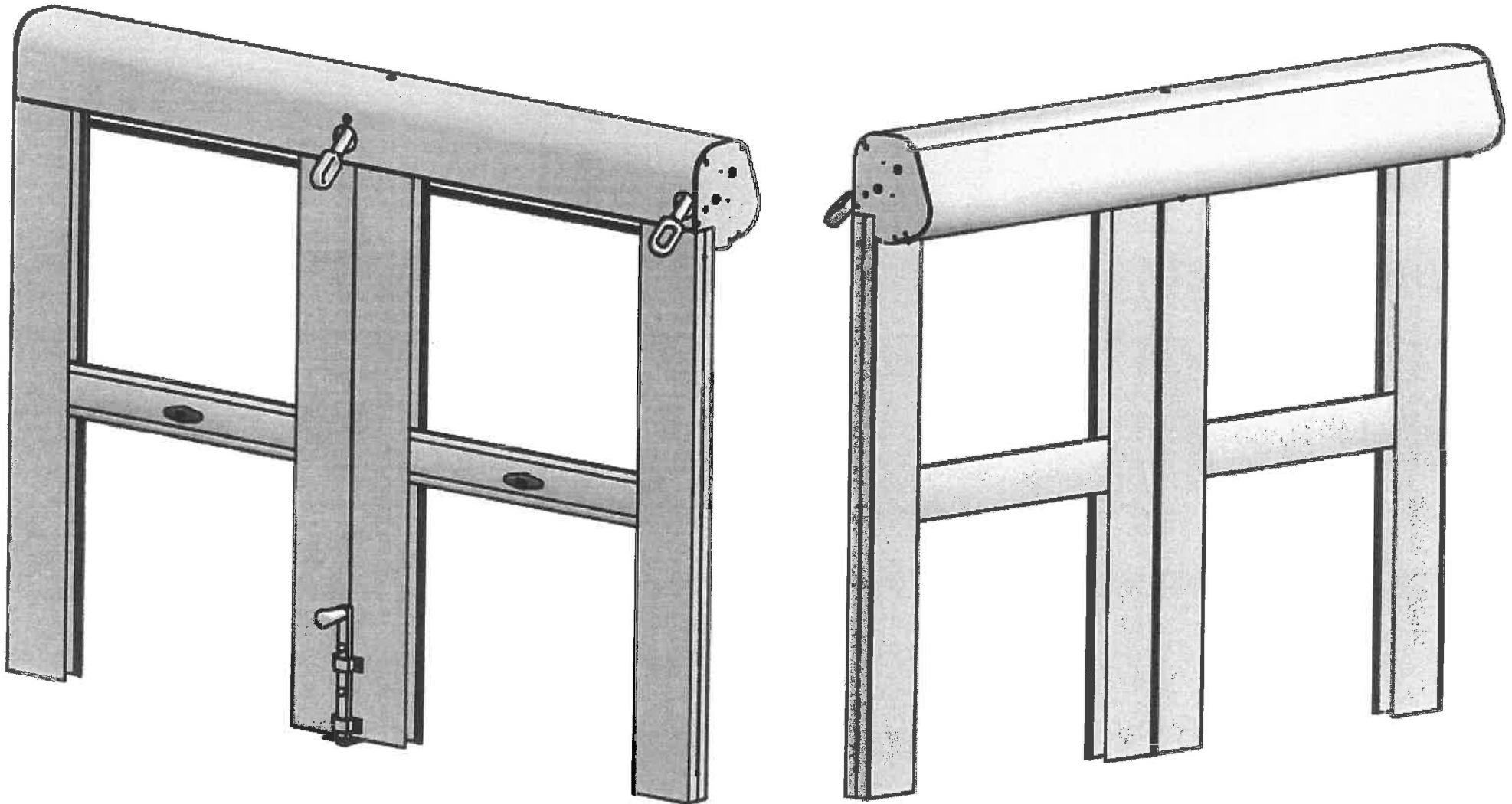


Chameleon Product Guide for 3m x 2.5m screen

<p>Gear Box Components – all components are required if no header box OR can purchase complete Gear Box kit AWGBG91. If screen has header box then the Universal Mounting Brackets are not required</p>			 
	2 x	AWCGL	Glide Lock 3m length
	2 x	AWCGLG	Glide Lock Guide
1x	AWART6	Aluminium Roller Tube 6m	
	10m	AWDS3	Side Channel Felt Strip
1x	AWDH11	Keyway Idler Drive End	
	8m	AWKDFBK	Double Flange Keder Black
1x	AWDH12	Keyway Idler Tube End	
	1x	AWDB16	Bottom Rail 6m
1x	AWGB61BK OR AWGB61WT	Gear Box 6/1 Black OR Gear Box 6/1 White	
	1x	AWDB26	Bottom Rail Cover 6m
1x	AWDH9	H/Box Pivot Pin, Bracket & R Clip	
	1x	AWB10031	Bottom Lock Assembly
			

2x	AWDH72	Stainless Steel S Gear Box Screws M6/40		3x	AWDB4	SS Bottom Rail Wire	
4x	AWDH73	Stainless Steel Nuts M6					
2x	AWDH71	SS Idler Screws M6/16mm		1x	AWCH1500	Crank Handle 1500	
2x	AWMB65SS	Universal Mounting Bracket 4mm Stainless Steel 65mm reach			Header Box Components		
	AWGBKBK OR AWGBKWT	These kits can be purchased instead of the individual components above. Gear Box Kit Black OR Gear Box Kit White		1x	AWCHB16	Head Box 6m	
1x	AWC10066	Side Channel 6m x 75mm		1x	AWCHBECL	Head Box End Cap L/H	
				1x	AWCHBECR	Head Box End Cap R/H	
1x	AWC10066	Side Channel Cover 6m x 75mm		2x	AWDH61	Head Box F/Cover Screws	
				6x	AWDH62	Head Box C/sunk Screws	

Chameleon Assembly Guide



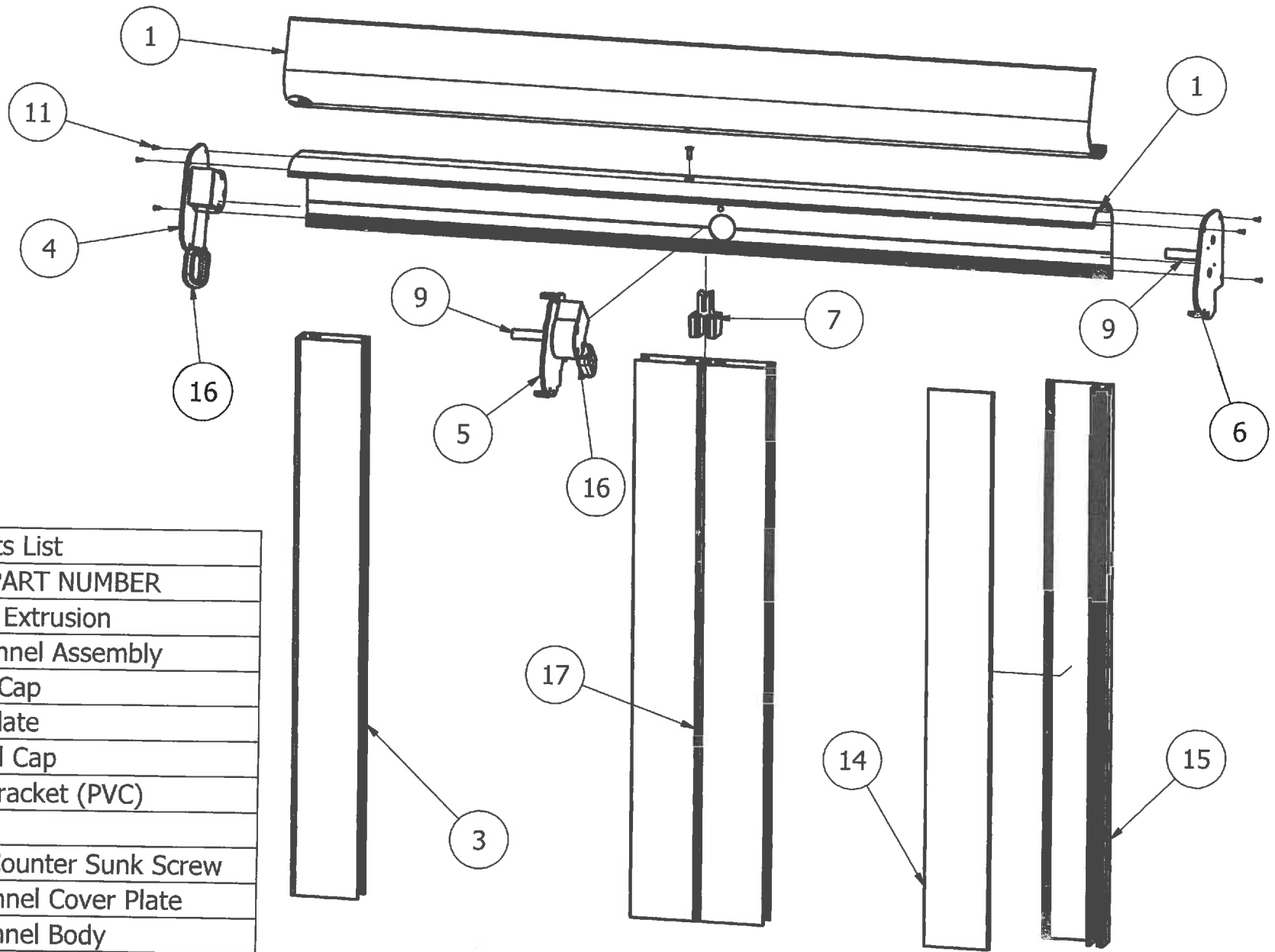


Fig. 1

Parts List

ITEM	QTY	PART NUMBER
1	2	Headbox Extrusion
3	4	Side Channel Assembly
4	1	Left End Cap
5	1	Mullion Plate
6	1	Right End Cap
7	1	Mullion Bracket (PVC)
9	2	Idler Pin
11	6	6g x 16 Counter Sunk Screw
14	4	Side Channel Cover Plate
15	4	Side Channel Body
16	2	Gear Box
17	1	Removable Mullion

Cut all extrusion using the cutting deductions table at the end of this guide.

NOTE : It is recommended that all drilling and counter sinking be completed prior to final surface finish, ie: powder coating.
This will help avoid scratching and chipping

Step 1

Drill and counter sink required mounting holes for drive and idler in the head box end caps (Fig. 2).

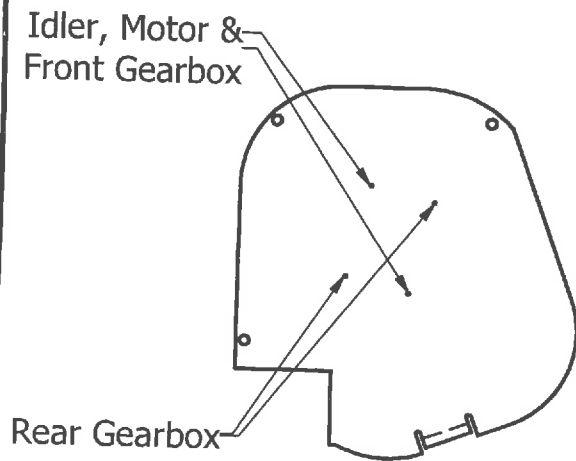


Fig. 2 (viewed from outside)

Step 2

For manually operated units, using the V grooves in the head box extrusion, drill the gearbox holes using a 38mm hole saw (Fig. 3 & 4).

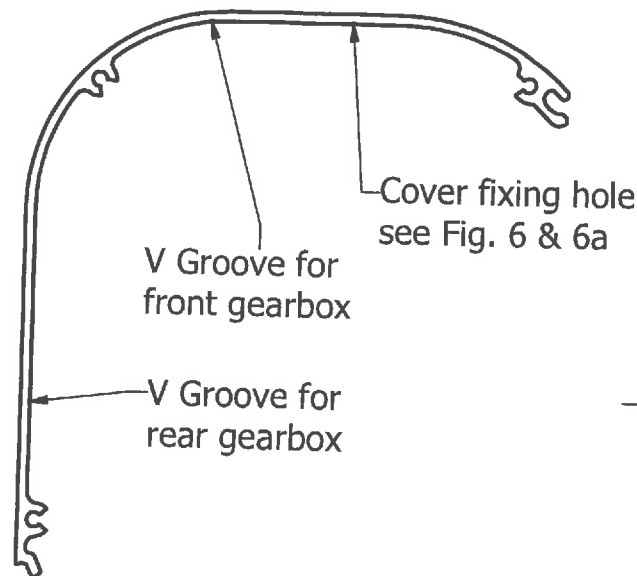


Fig. 3

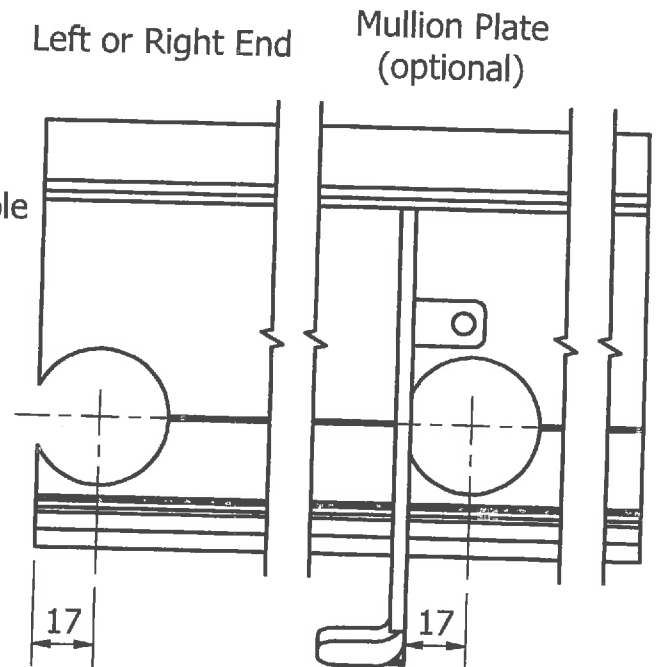


Fig. 4

Tips to assist with hanging during powder coating

Head Box Back Extrusion: Partially insert a screw in the top corner keyway at both ends (Fig. 5).

Head Box Front Extrusion: Drill a 5mm hole in each end of the extrusion as shown (Fig.6 & 6a).
These holes are also used to secure the front extrusion to the end cap at installation.

Bottom Rail: Partially insert screws into one keyway at each end (Fig. 7). For the bottom rail cover plate, please contact your powder coater for the best way to hang the extrusion.

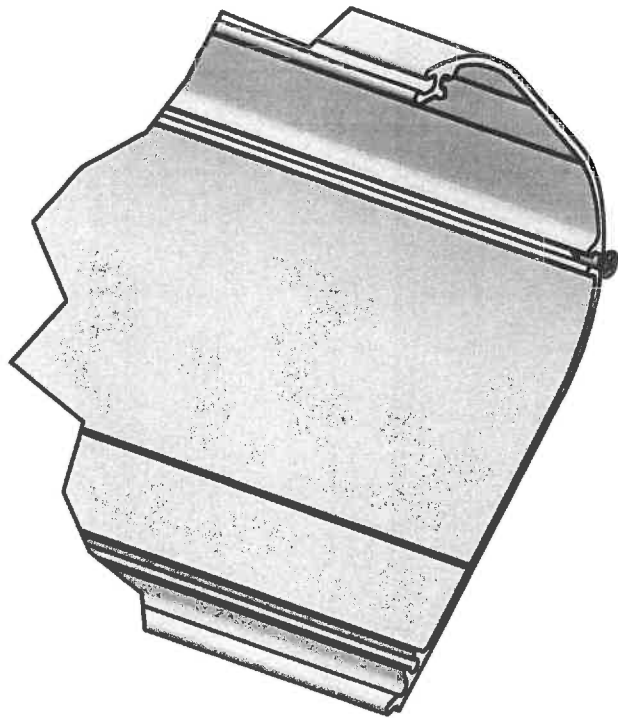


Fig. 5

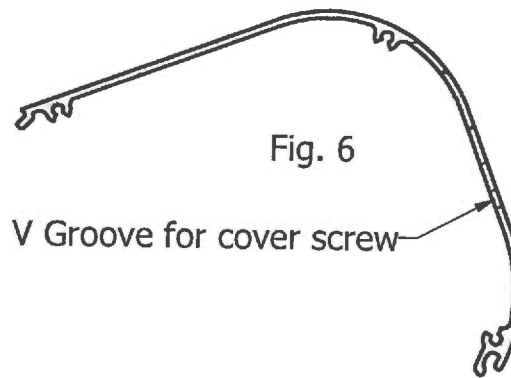


Fig. 6

V Groove for cover screw

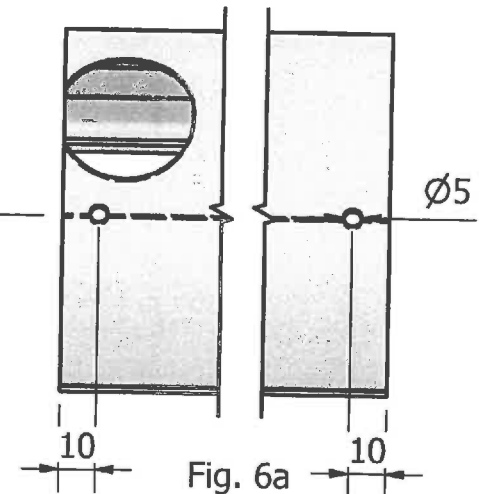


Fig. 6a

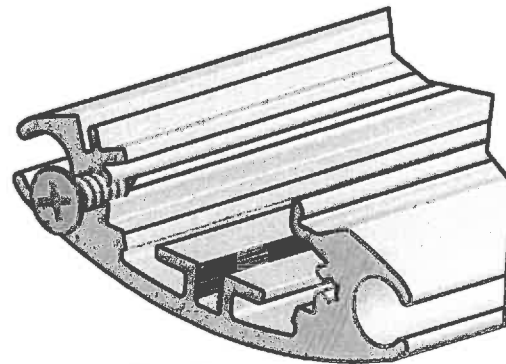
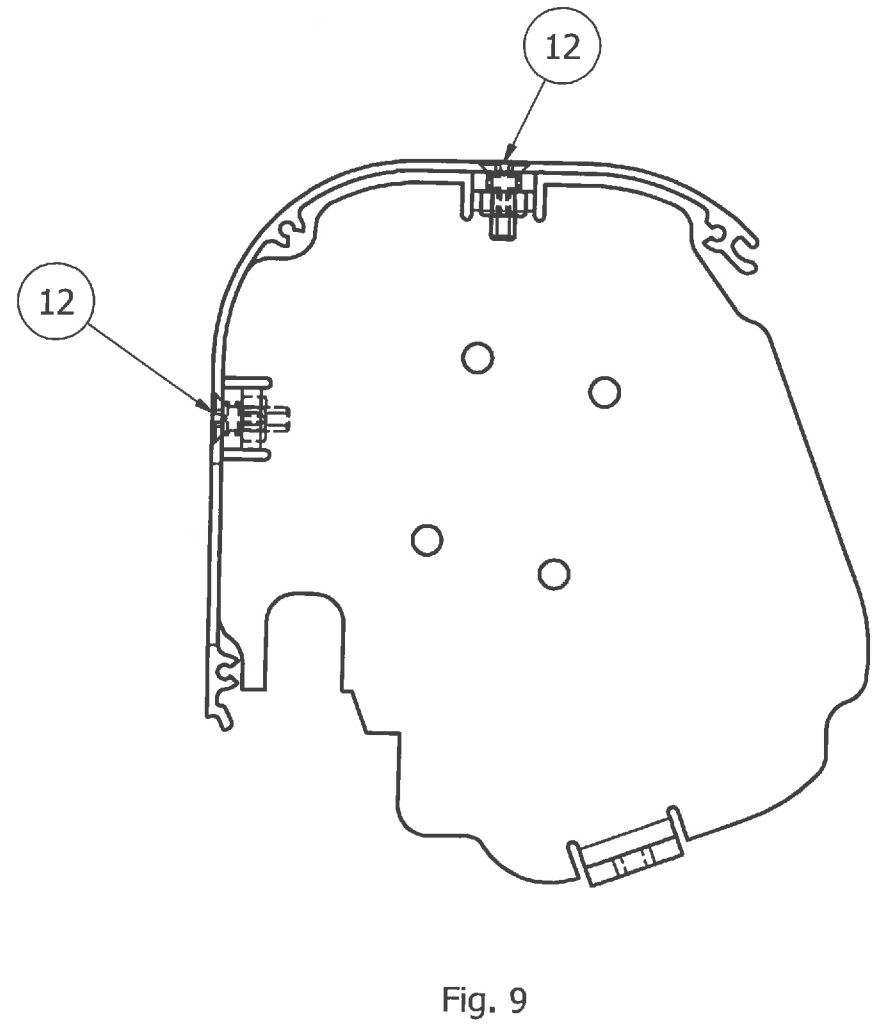
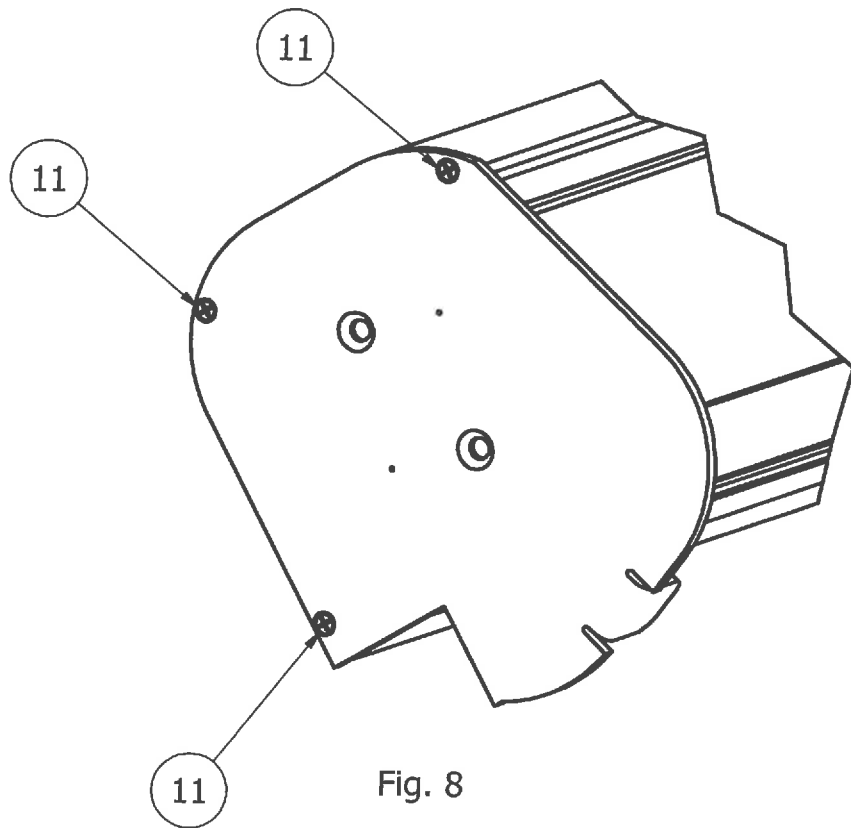


Fig. 7

Step 3

After powder coating assemble head box end caps as shown (Fig. 8). Mullion plate if required (Fig. 9). All standard awning hardware can now be fitted.

- Gearbox / Motor Mount
- Idler Brackets



Step 3 cont.

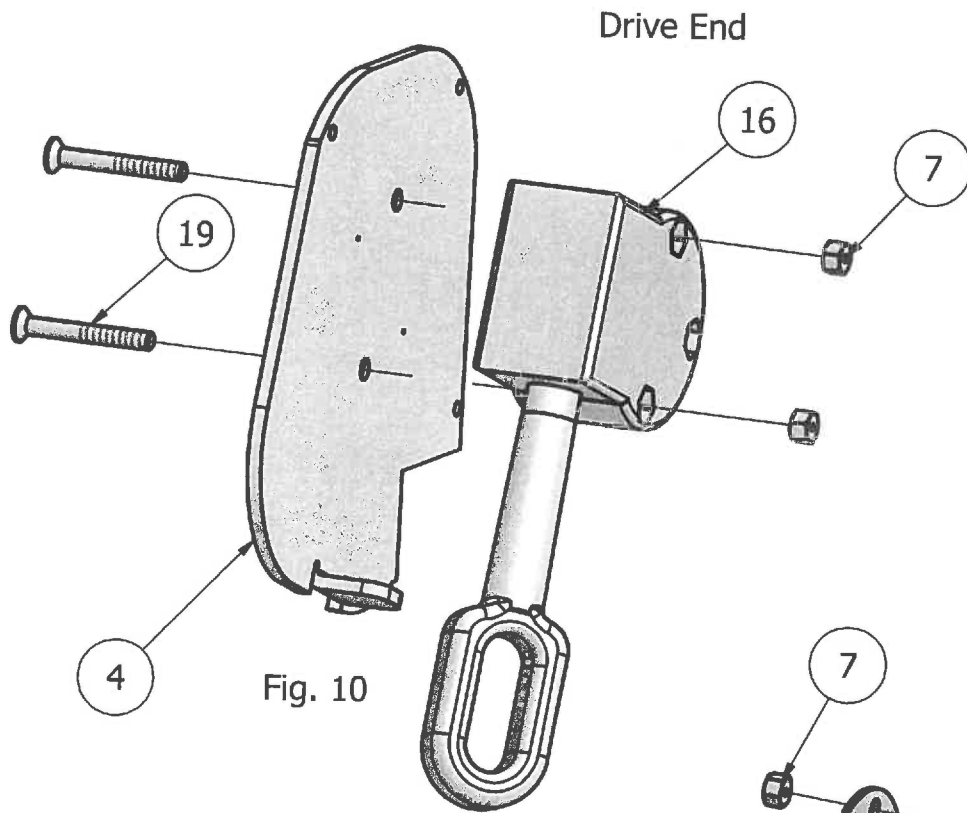


Fig. 10

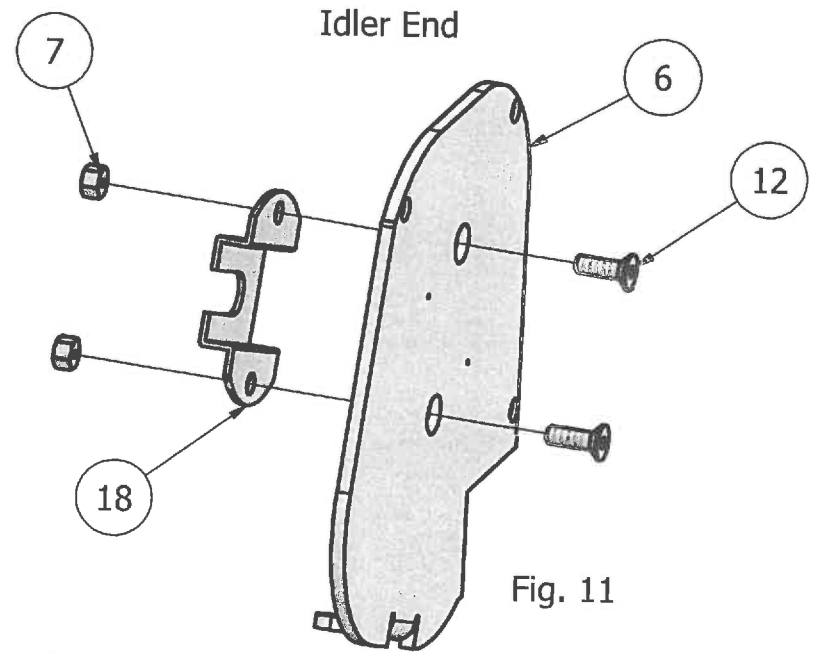


Fig. 11

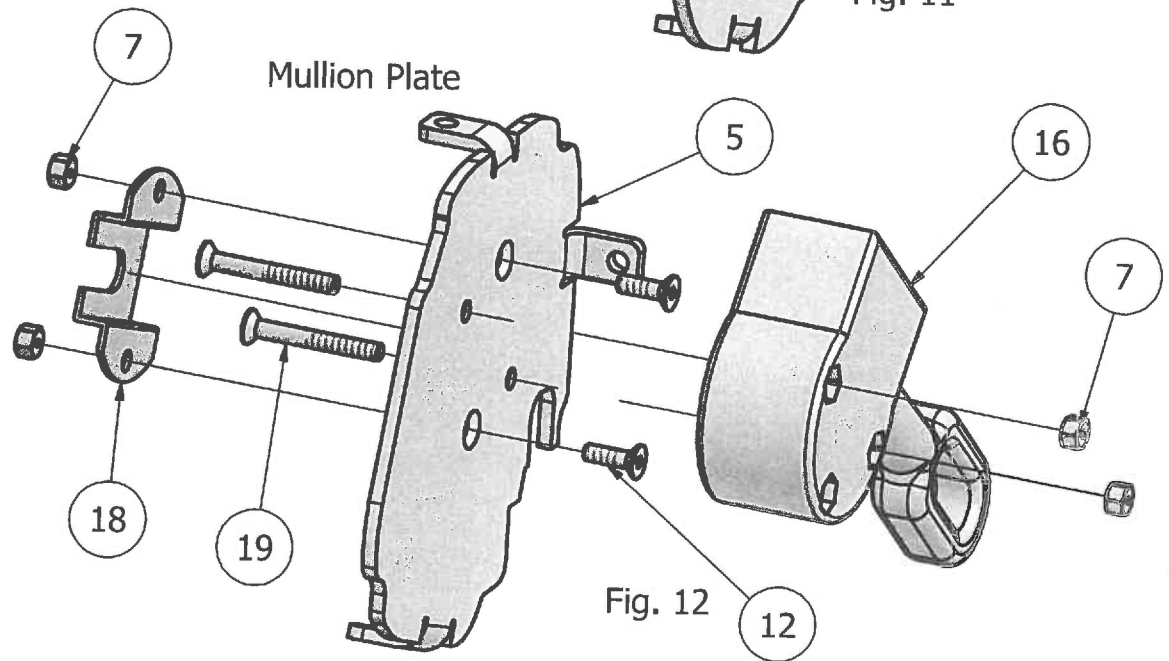


Fig. 12

Parts List

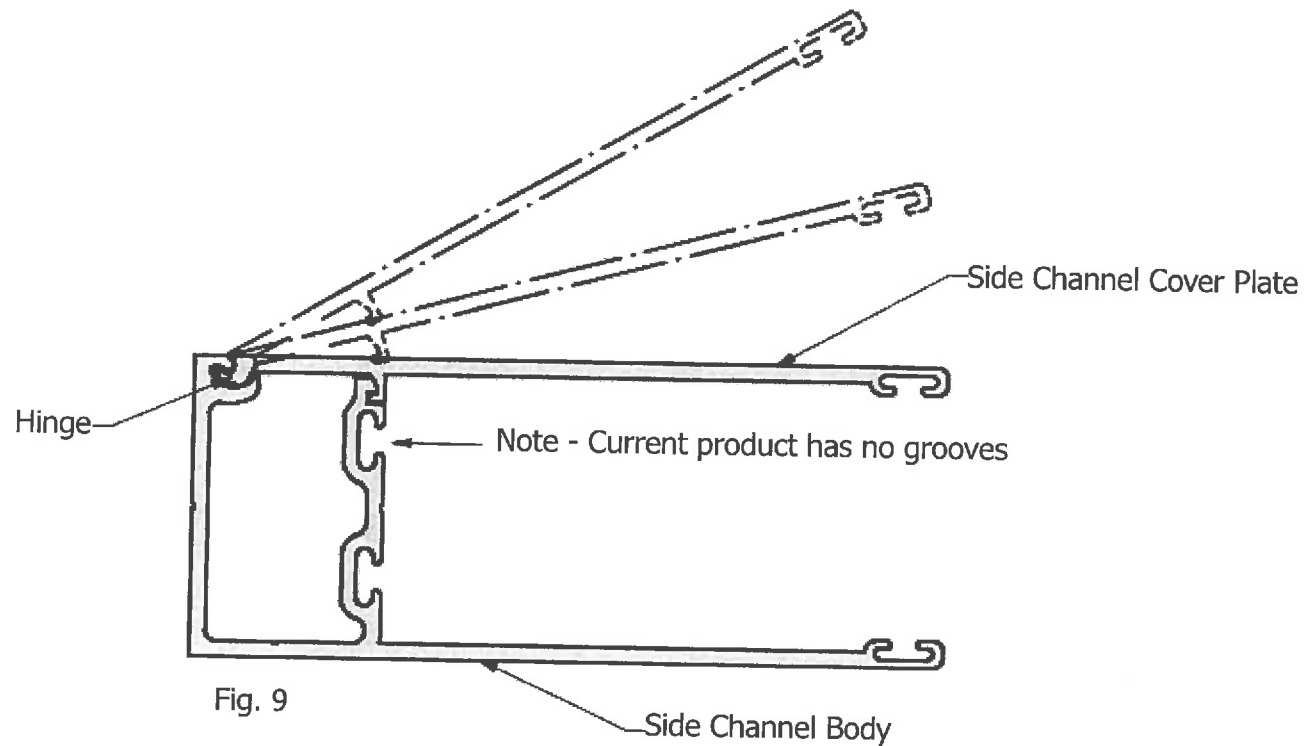
ITEM	QTY	PART NUMBER
5	1	Mullion Plate
16	2	Gear Box
18	2	Pivot Plate
12	4	Counter Sunk M6 x 16 Bolt
19	4	Counter Sunk M6 x 40 Bolt
7	8	M6 Nuts
4	1	Left End Cap
6	1	Right End Cap

Fitting the side channel cover plate

To fit the cover plate, align the hinge sections of the cover and body along the entire length of the channel (Fig. 9). Rotate the cover as shown and using moderate pressure clip it onto the body of the channel.

Removing the side channel cover plate

To remove the cover plate, at one end squeeze the inner tongue on the body and peel the cover off (Fig. 9). Once the cover is started it should come away from the body of the channel quite easily.



NOTE : The channel is designed to be clipped together only after it is anodized or powder coated. It **does not** clip together tightly in its mill finish state.

Fitting The Cover Plate

To fit the cover plate align the hinge sections of both the extrusions and rotate into position (Fig 14). Using the holes drilled for powder coating mark and drill 4.5mm holes in the end cap cover tab for the cover plate screws (Fig 15).

If there is a removable mullion drill a third hole to match the mullion plate cover tab. Insert 10g x 19 SS Pan Head Self Tapping screws.

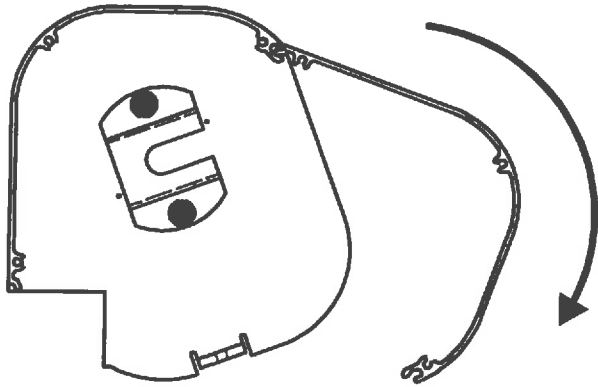


Fig. 14

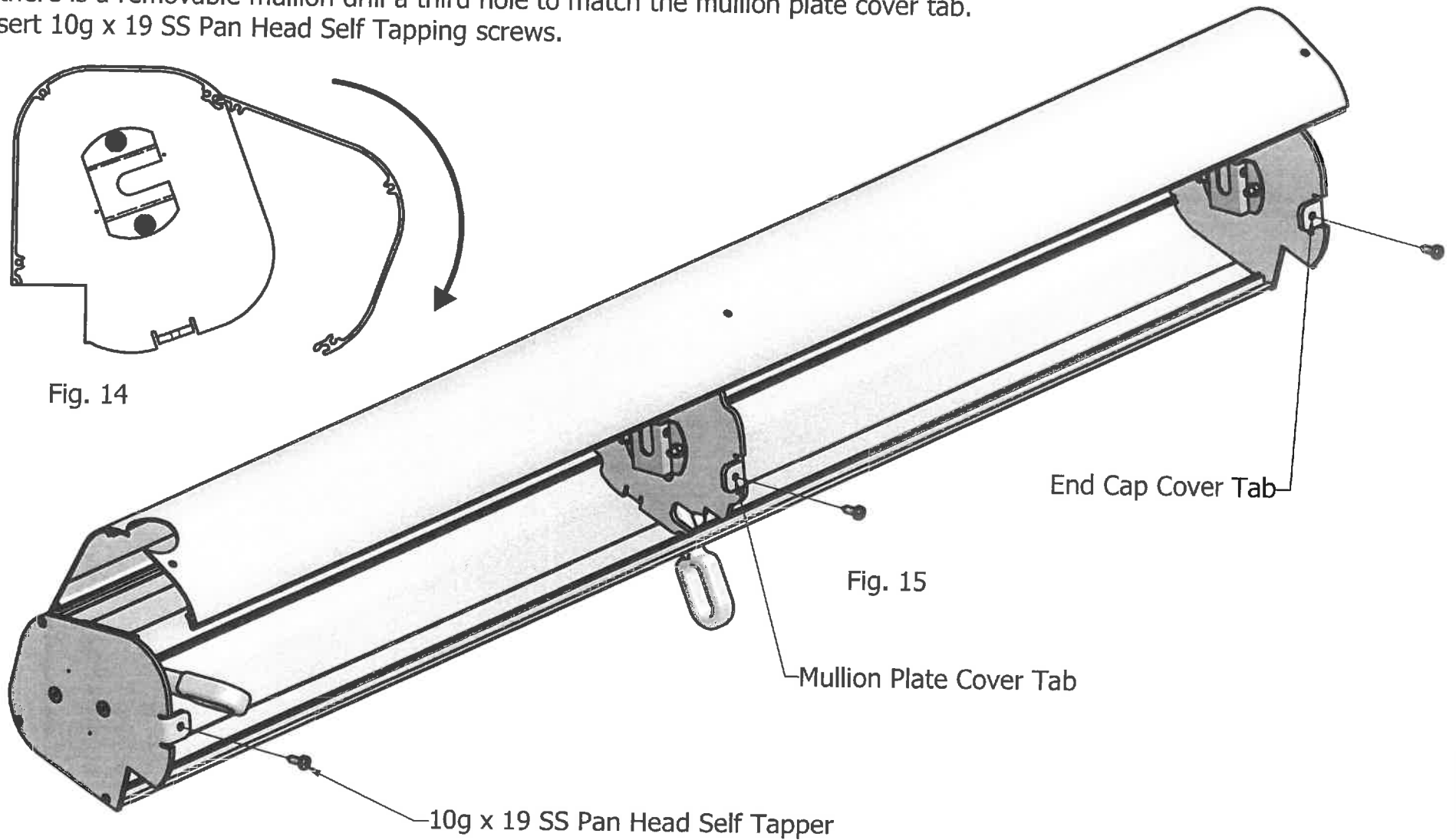


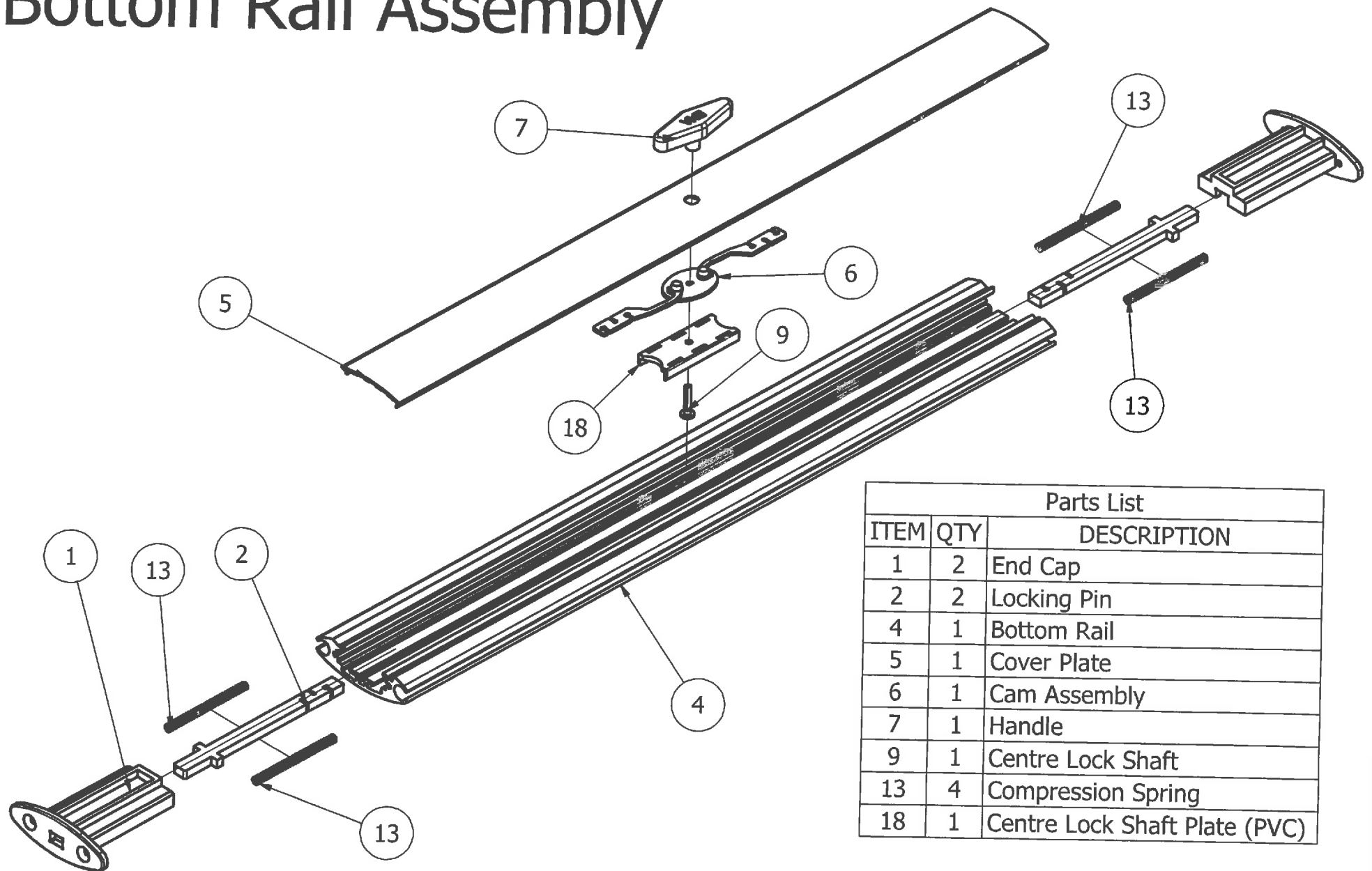
Fig. 15

End Cap Cover Tab

Mullion Plate Cover Tab

10g x 19 SS Pan Head Self Tapper

Bottom Rail Assembly



Parts List		
ITEM	QTY	DESCRIPTION
1	2	End Cap
2	2	Locking Pin
4	1	Bottom Rail
5	1	Cover Plate
6	1	Cam Assembly
7	1	Handle
9	1	Centre Lock Shaft
13	4	Compression Spring
18	1	Centre Lock Shaft Plate (PVC)

Step 1

Insert the **centre lock shaft** into the **centre lock shaft plate** and clip the shaft plate into the bottom rail. The locking kit is mounted in the centre of the bottom rail as standard. However, the design allows the locking kit to be mounted anywhere along the length of the bottom rail. The minimum recommended offset for the centre of the locking kit is 250mm from one end.

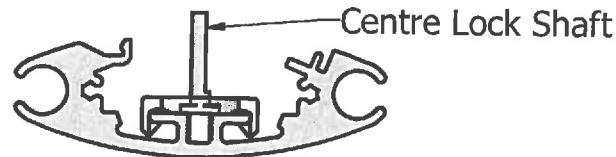


Fig. BR2

Step 2

Thread the pre cut cable onto the locking pin as shown. (Fig. BR3 & BR3a)

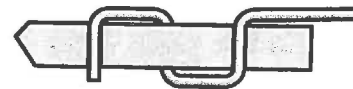


Fig. BR3

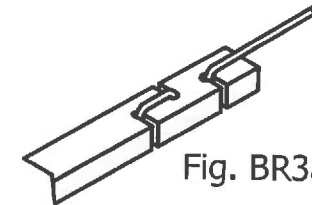


Fig. BR3a

Step 3

Slide end cap partially into bottom rail then insert springs and slide end cap all the way into bottom rail. (Fig. BR4)

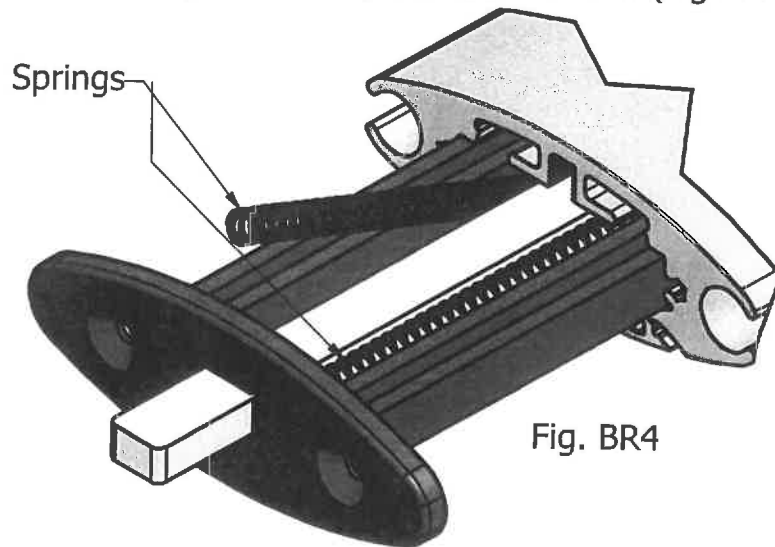


Fig. BR4

Step 4

Thread cable onto cams (as with Fig. BR3 & BR3a)

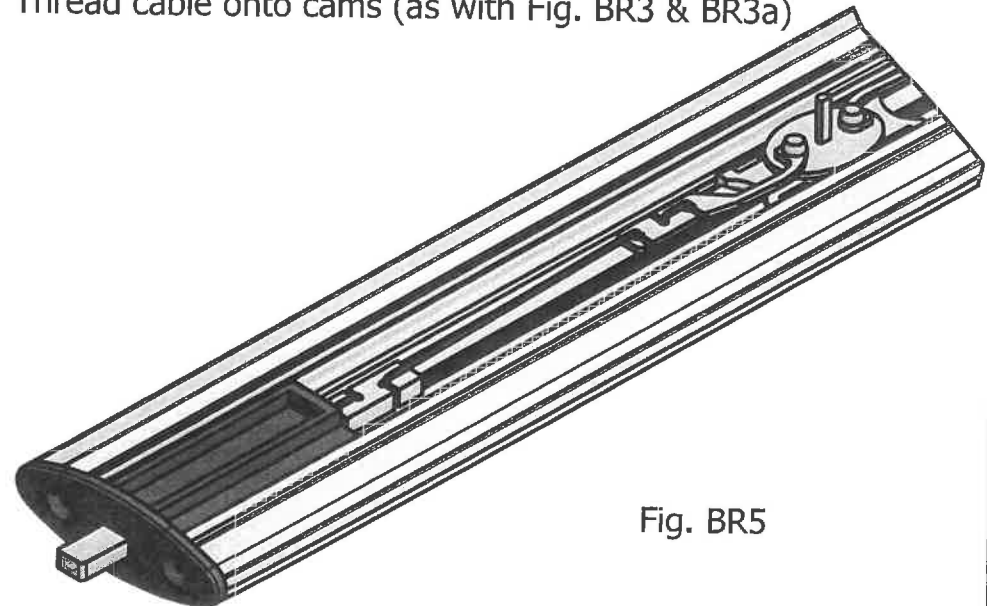


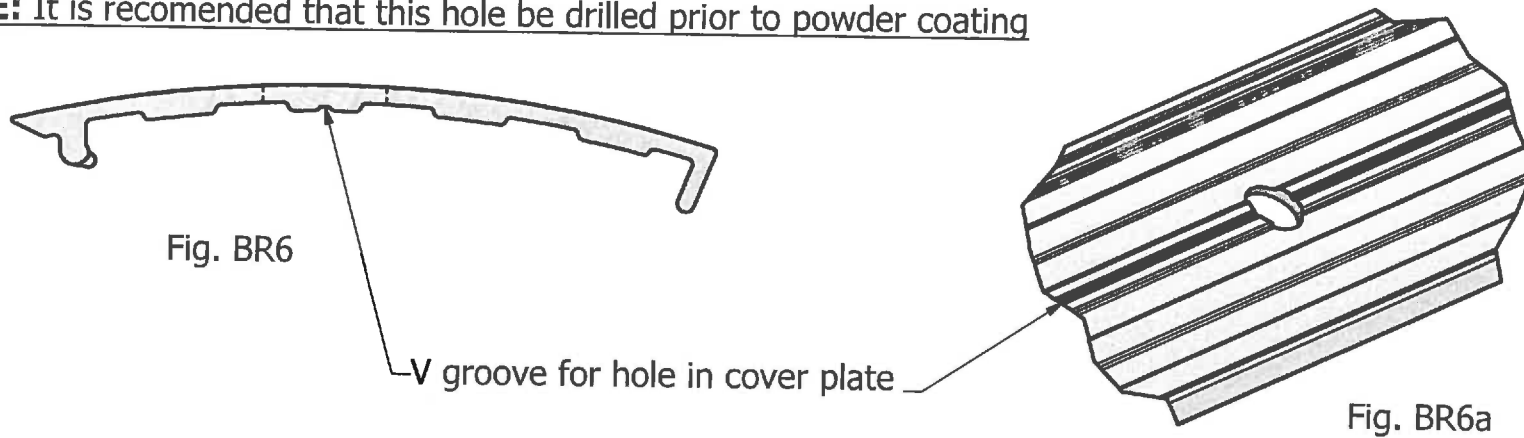
Fig. BR5

Step 5

Using the V groove on the underside of the Bottom Rail cover plate, drill a 10mm hole to allow for the shaft of the locking kit. (Fig. BR6 & BR6a)

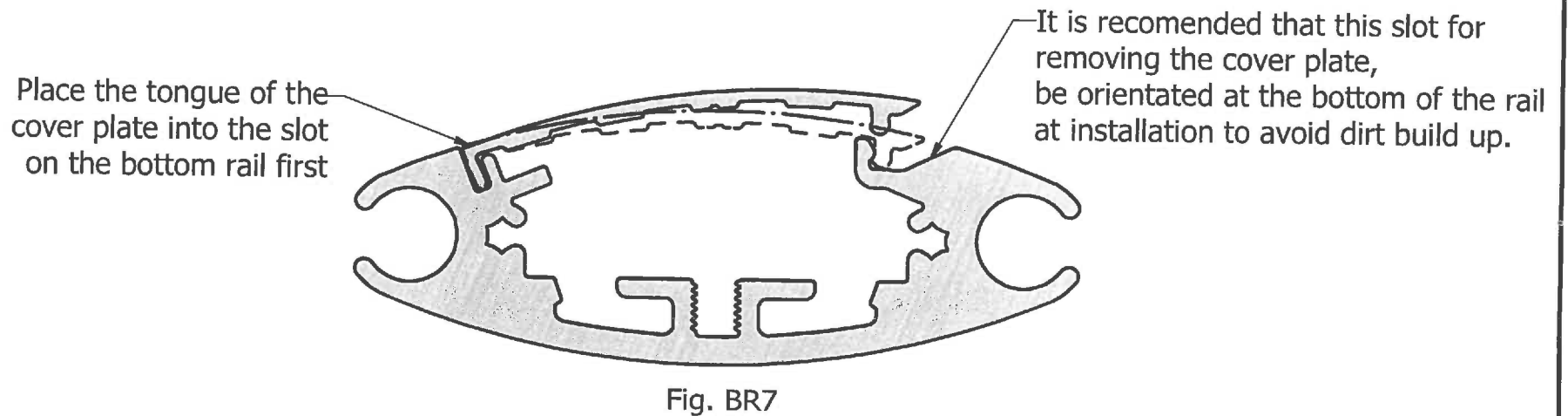
Locate the hole to match the desired position of the locking kit.

NOTE: It is recommended that this hole be drilled prior to powder coating



Step 6

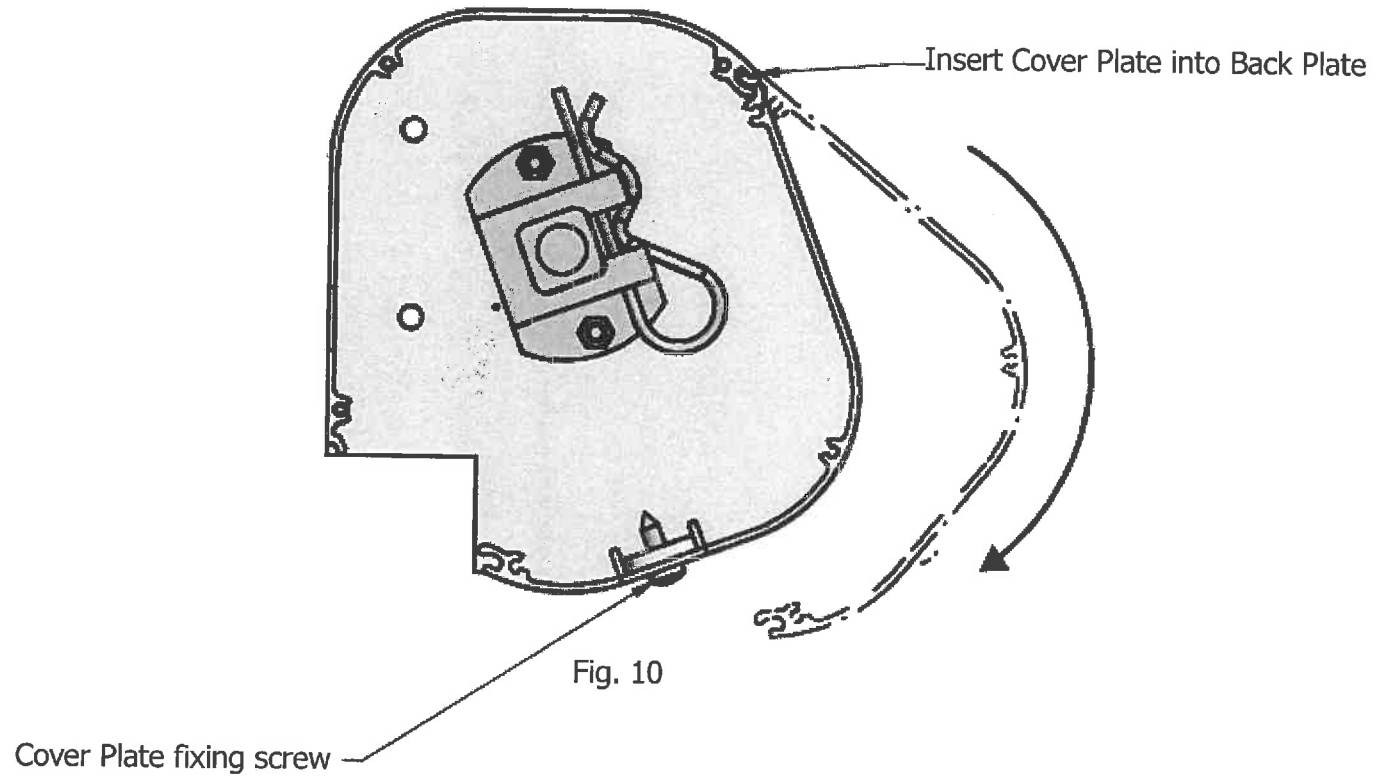
Clip the Bottom rail cover plate onto the bottom rail as shown. (Fig. BR7)



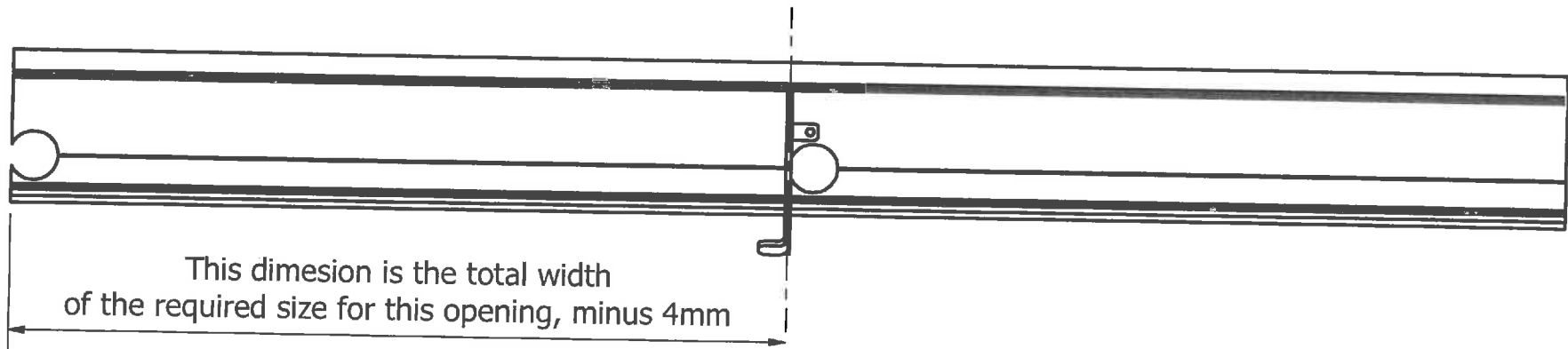
Fitting the Cover Plate

Insert the tongue of the cover into the hinge on the back plate and rotate into position (Fig. 10).
To fix in place insert the stainless steel screws provided through the cover plate into the end cap lugs.

Note - If there is a removable mullion, a screw will also need to be inserted into the lug on the mullion plate.



Mullion Plate Position



Chameleon Cutting Deductions

Part	Overall Width/Drop
Head Box	Minus 8mm
Side Channel	Minus 119mm *
Bottom Rail	Minus 68mm
BOR Bottom Rail	Minus 118mm
Keyway Tube: Manual	Minus 75mm
Keyway Tube: Motor	Minus 65mm
Bottom Rail Wire (2 per rail)	(Bottom Rail/2) -100mm
Fabric Width	Minus 75mm
Fabric Drop	Plus 300mm

* Please note that the deduction given is exact size. However, it is recommended to cut the side channels slightly oversized (eg: 30mm) to allow for onsite trimming in case of uneven floor levels.

Building the removable mullion

Step 1

To assemble the mullion two side channels are screwed back to back, and the PVC mullion bracket inserted in the top (Fig. 11 & 12). Then attach side channel cover plates as shown in Fig. 9

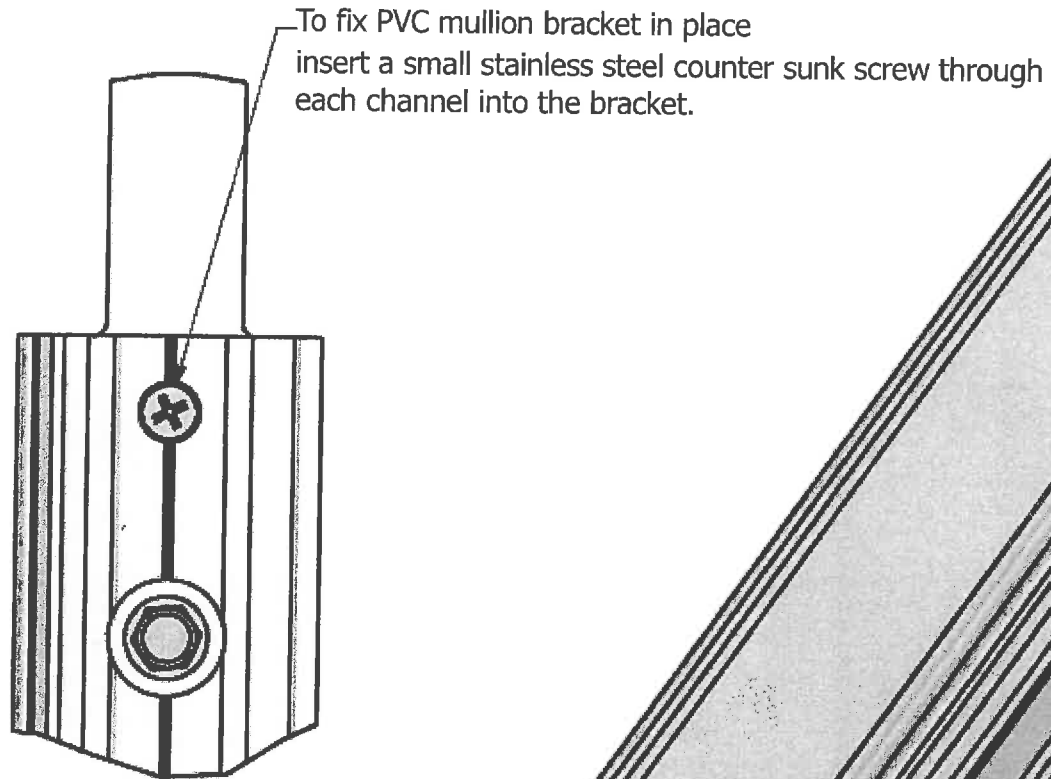


Fig. 11

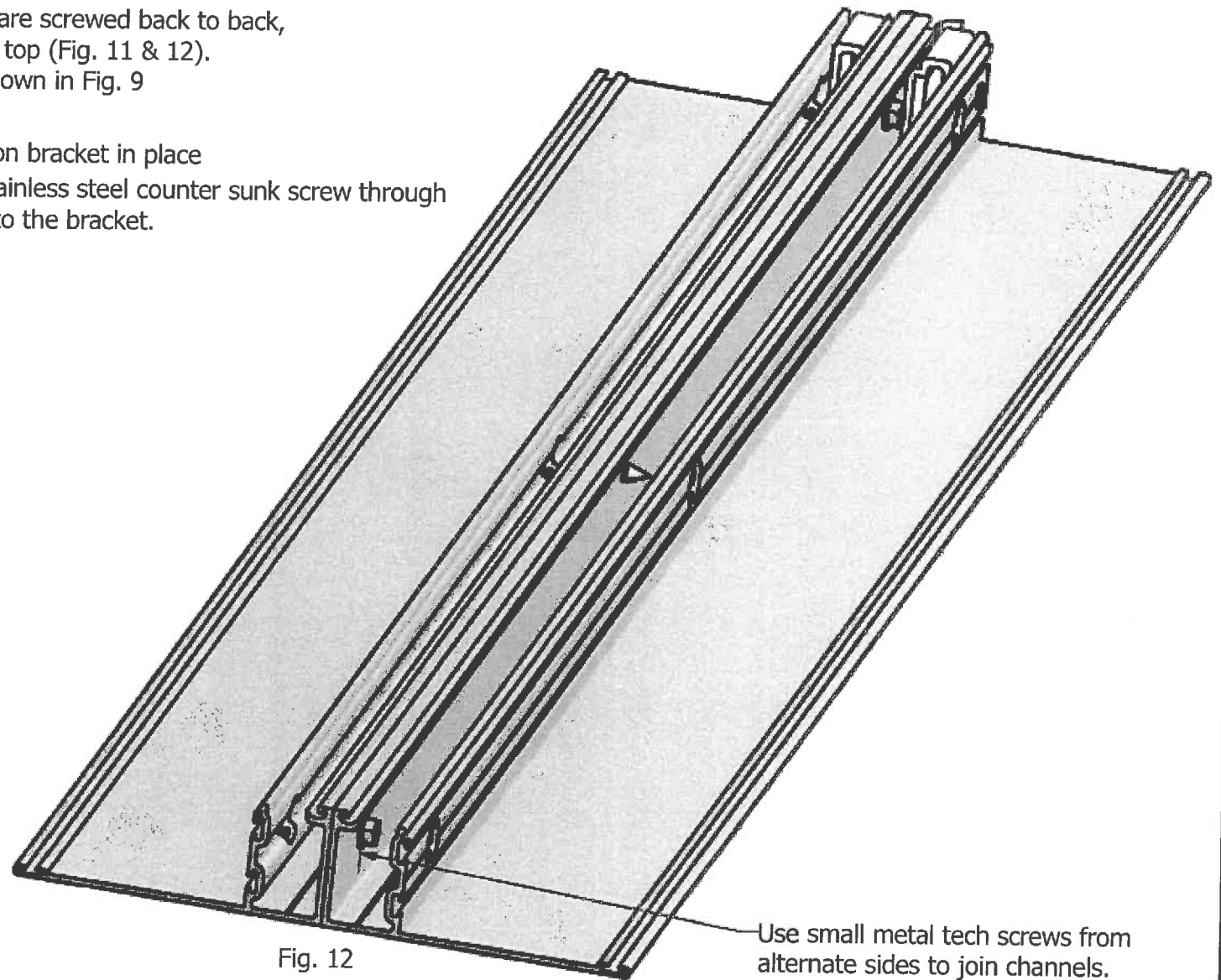


Fig. 12

Step 2

To attach the "slide bolt", mount as shown (Fig. 13 & 14).

Take care not to mount the lower bracket to high. The fixing screw may interfere with the bottom bar locking hole (Fig. 13)

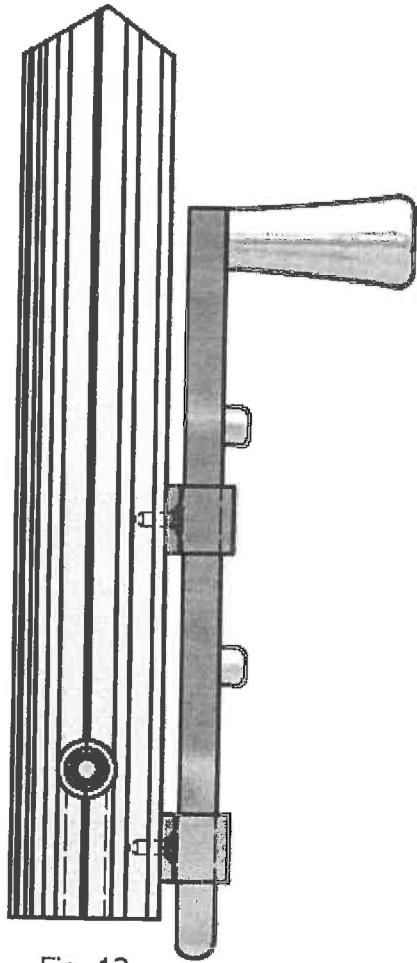


Fig. 13

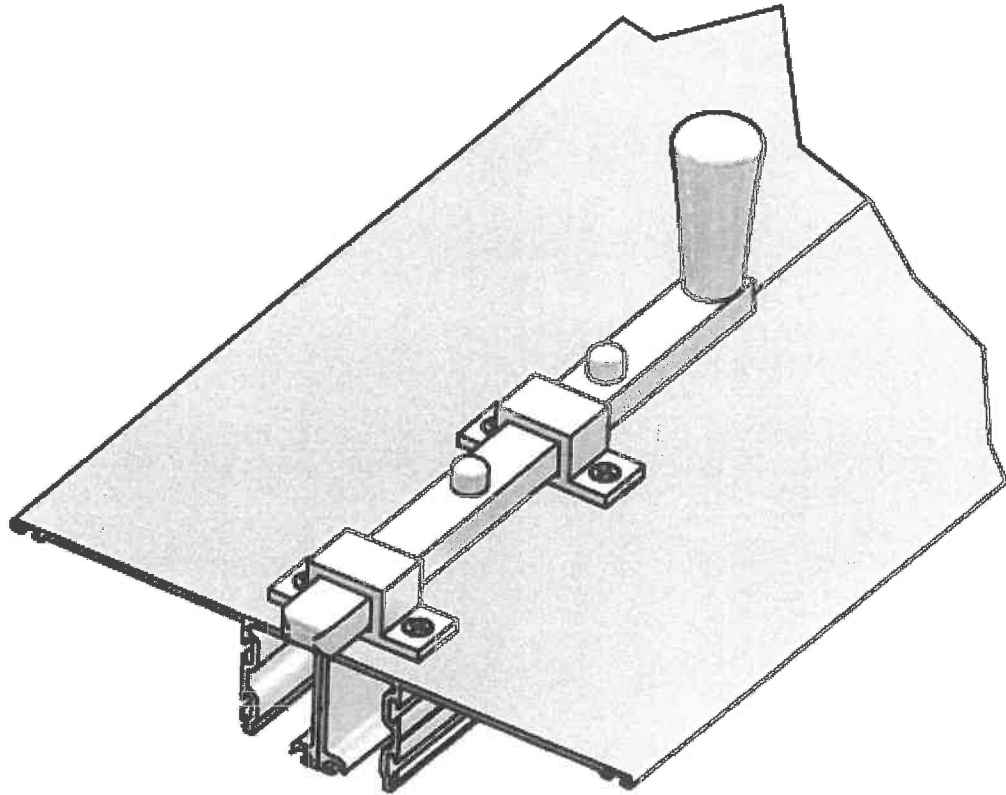


Fig. 14

Glide Lock Fabric Construction Guide

Step 1

Prior to welding the Keder to the blind, please weld a wider neck as shown in Fig 1 & 2.

Step 2

Weld top and bottom rope edge before attaching the keder (Fig. 3).

Prior to welding cut the keder edging to length. Then weld/stitch in place.

This will allow the fabric to rollup evenly on the roller tube (Fig. 6).

A reinforcing lock stitch to bottom of Keder is always a good idea, to assist in those windy installations!

Step 2a (PVC Clear only)

For PVC clear blinds weld vinyl reinforcing to the sides prior to attaching the keder. (Fig 4 & 5)



Fig. 4

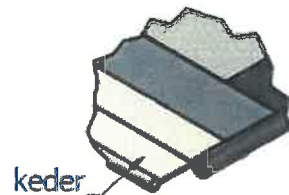


Fig. 5

Fabric Cutting Sizes

Please note that the cutting sizes are the actual fabric size.
The Keder is then added onto this to give the final skin size.

Product	Drop	Width
Chameleon	Plus 300mm	Minus 112mm



Fig. 1

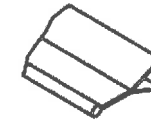


Fig. 2

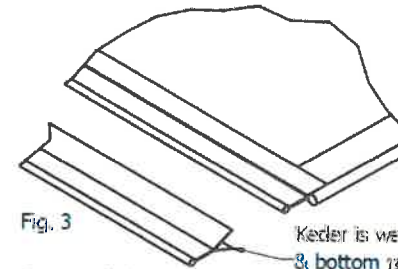
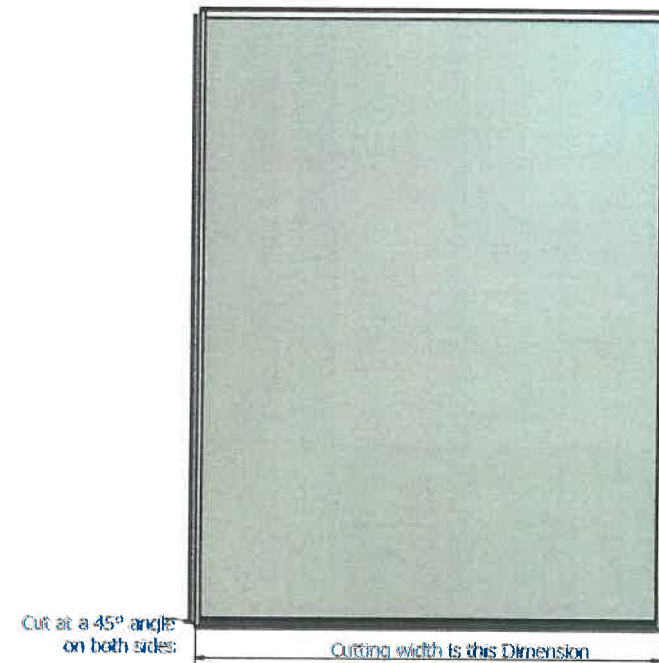


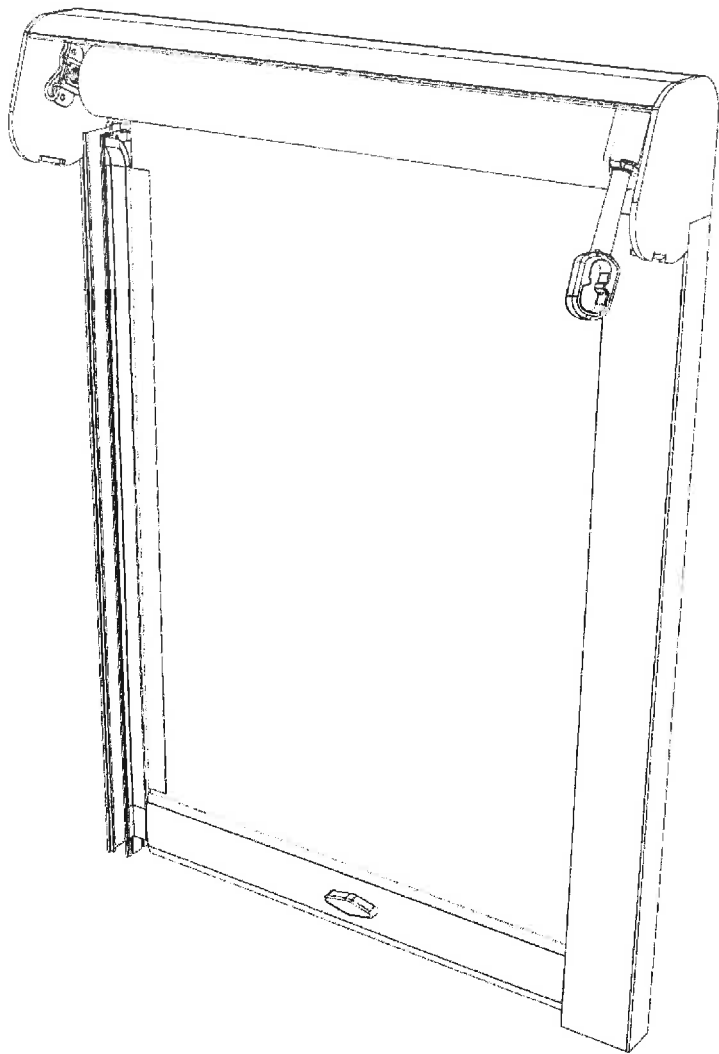
Fig. 3

Keder is welded over top & bottom rope edge

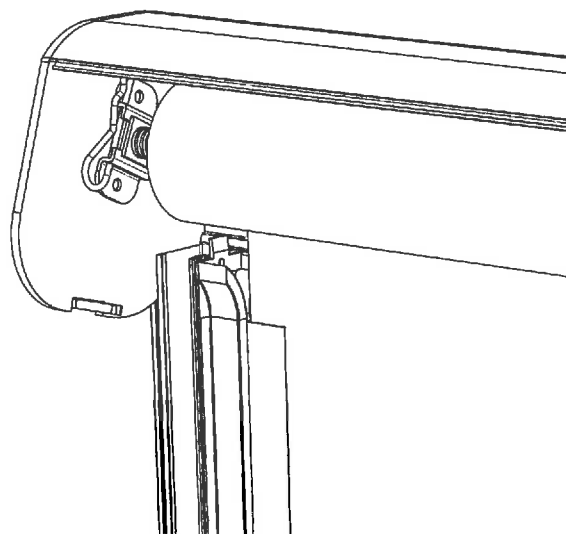
Fig. 6



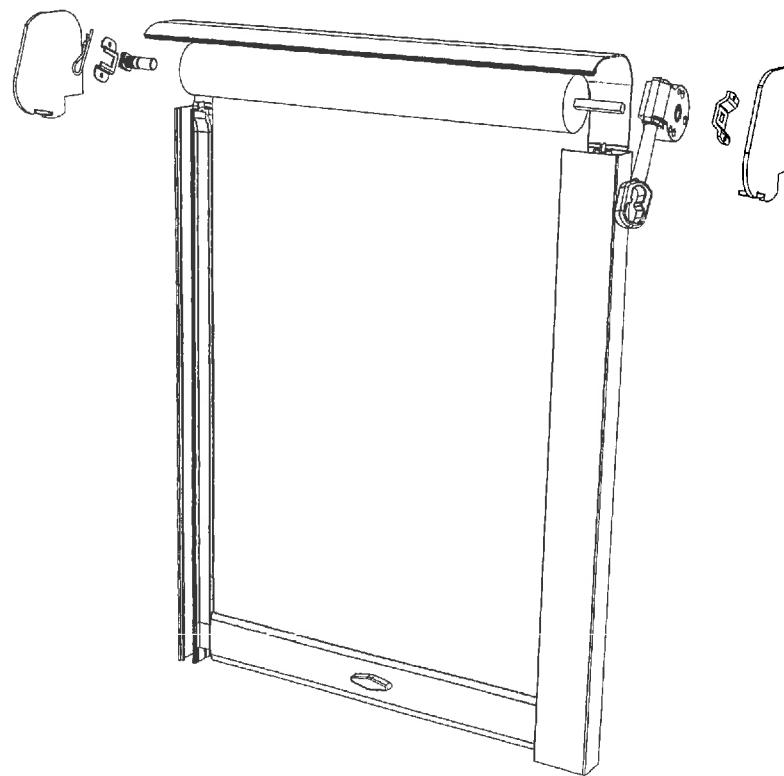
Glide Lock



Close up of Glide Lock



Exploded view of Glide Lock

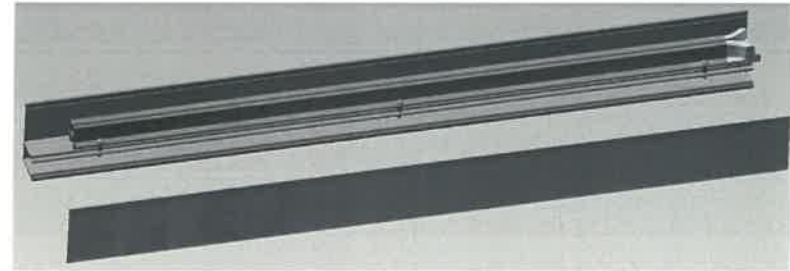


CHAMELEON INSTALLATION SYSTEM

HEAD ASSEMBLY FOR GEARBOX.



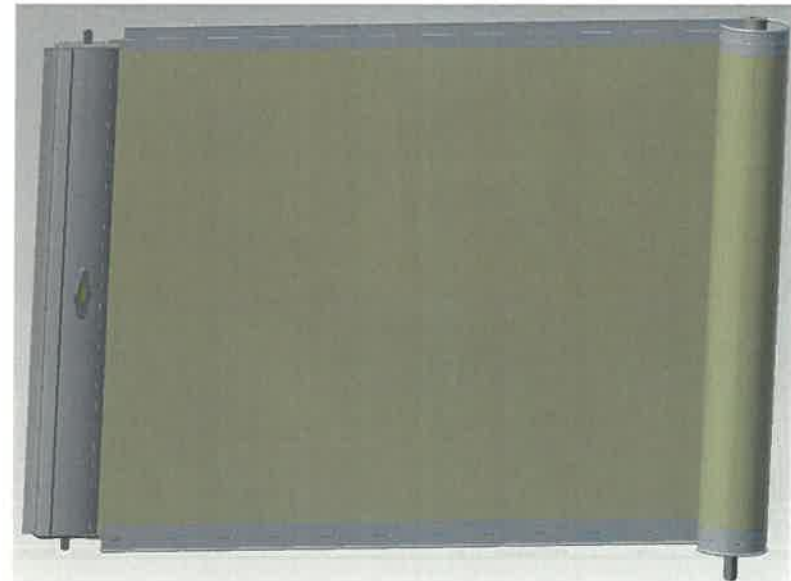
SIDE CHANNEL OPPOSITE HAND ASSEMBLY.



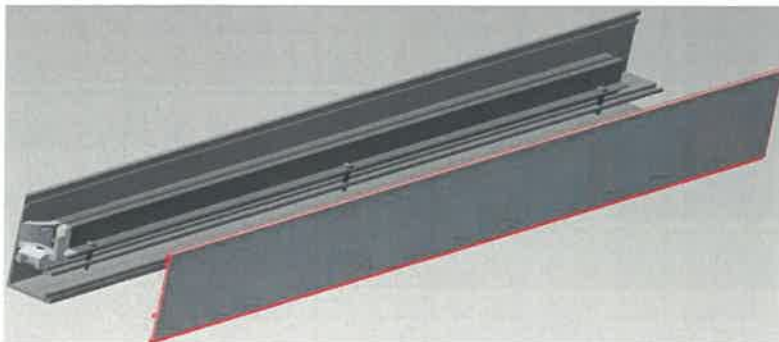
HEAD ASSEMBLY FOR TUBULAR MOTOR



FABRIC ROLLER ASSEMBLY.



SIDE CHANNEL ASSEMBLY.



CHAMELEON GEARBOX INSTALLATION SYSTEM



Step 1 : Remove front cover which is mounted with 2 Screws.

Step 2 : Remove R Clip & idler shaft.

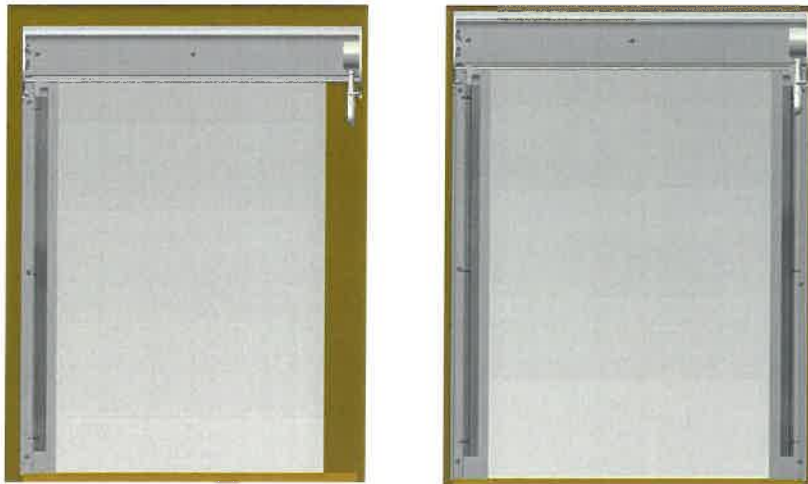
Step 3 : Slide fit idler shaft to roller assembly.

Step 4 : Fix Hood Assembly

- a. Face Fixing : Screw from internal face on centre of grooved line on fascia to wall.
- b. Recess Fit : Drill holes on end flanges as required and screw from inside of the hood.



Step 5. Side channel assembly fixing



- a. Face Fixing : Screw from internal face on centre grooved line of side channel to wall.
- b. Recess Fit : Screw from face of glide rail & side channel to wall .

Step 6. Fabric Roller Assembly Fixing

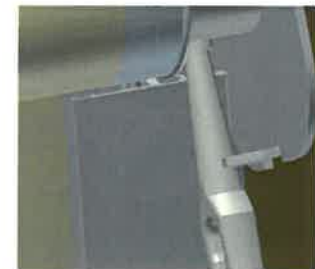
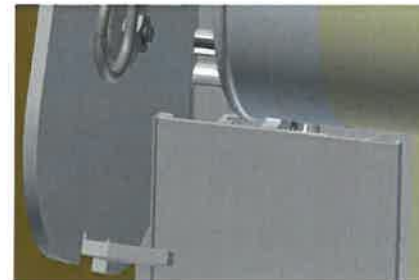


- a. Slide idler shaft fully into idler end.
- b. Push fit drive end of roller assembly to the gearbox.
- c. Locate idler pin into idler bracket.
- d. Feed fabric into glide rail of both slide channel.
- e. Align fabric roll by unwinding the fabric roll into the glide rail of both side channel.

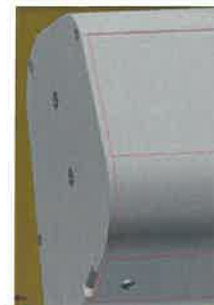
Step 7. Fit the R clip on idler Shaft.



Step 8. Fix the side channel covers.



Step 9. Fix the hood cover with 2 screws



CHAMELEON TUBULAR MOTOR INSTALLATION SYSTEM



Step 1 : Remove front cover which is mounted with 2 Screws.

Step 2 : Remove R Clip & idler shaft.

Step 3 : Slide fit idler shaft to roller assembly.

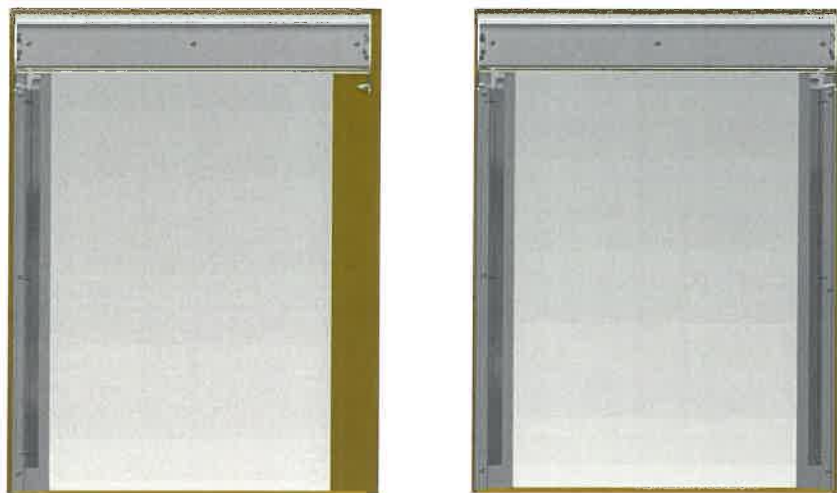
Step 4 : Fix Hood Assembly.



a. Face Fixing : Screw from internal face on centre of grooved line on fascia to wall.

b. Recess Fit : Drill holes on end flanges as required and screw from inside of the hood.

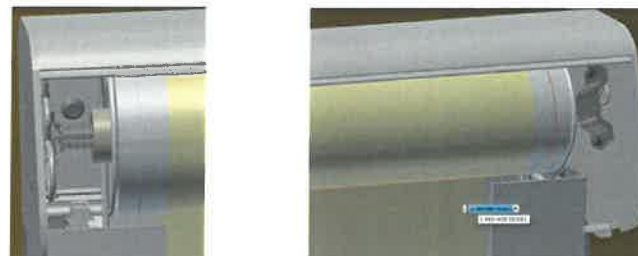
Step 5. Side Channel Assembly Fixing



a. Face Fixing : Screw from internal face on centre grooved line of side channel to wall.

b. Recess Fit : Screw from face of glide rail & side channel to wall

Step 6. Fabric Roller Assembly Fixing



a. Slide idler shaft fully into idler bush.

b. Push fit drive end of roller assembly into drive bracket.

c. Locate idler pin into idler bracket.

d. Feed fabric into glide rail of both slide channel.

e. Align fabric roll by unwinding the fabric roll into the glide rail of both side channel.

Step 7. Fit the R clip on idler shaft.



Step 8. Fix the side channel covers.



Step 9. Fix the hood cover with 2 screws.

