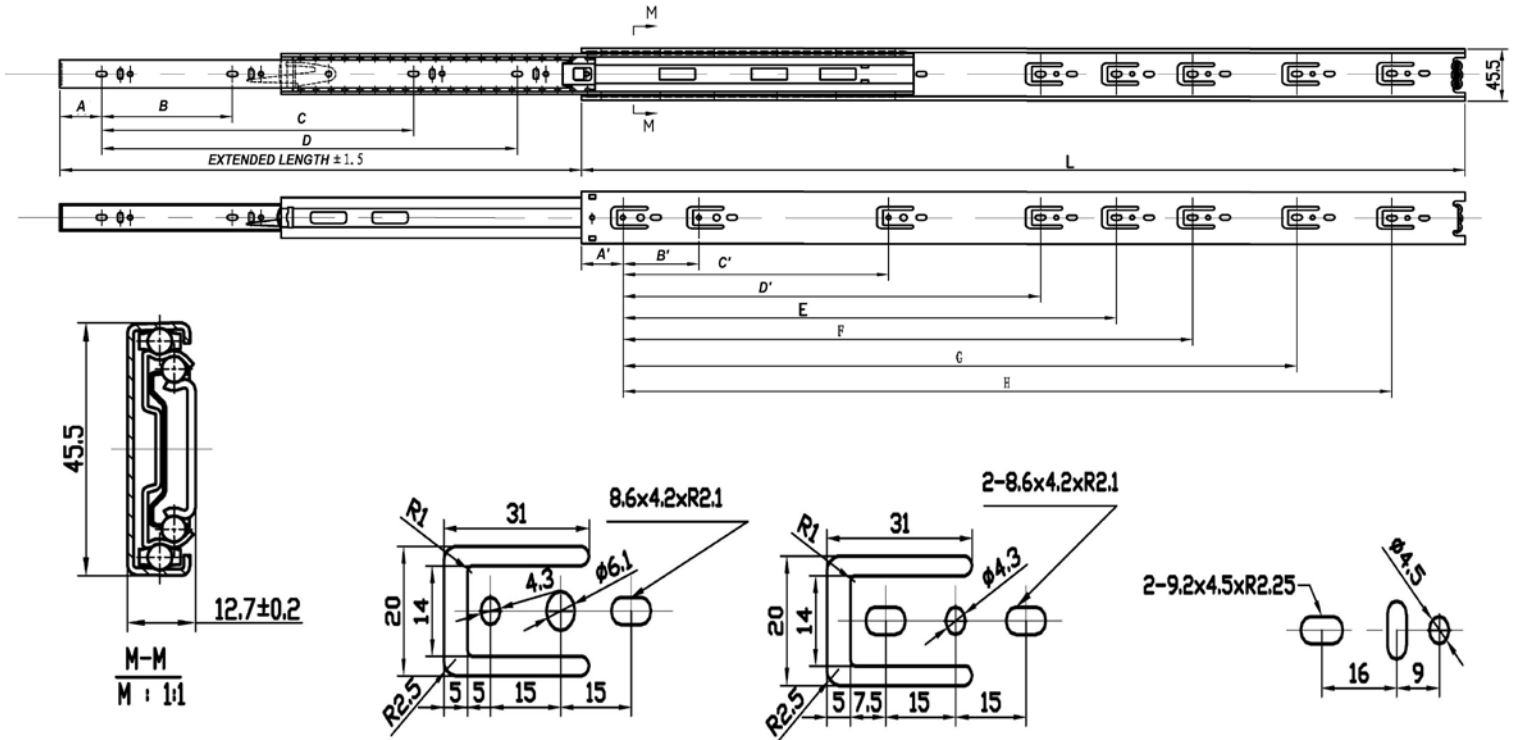


**DURASLIDE  
AUSTRALIA**



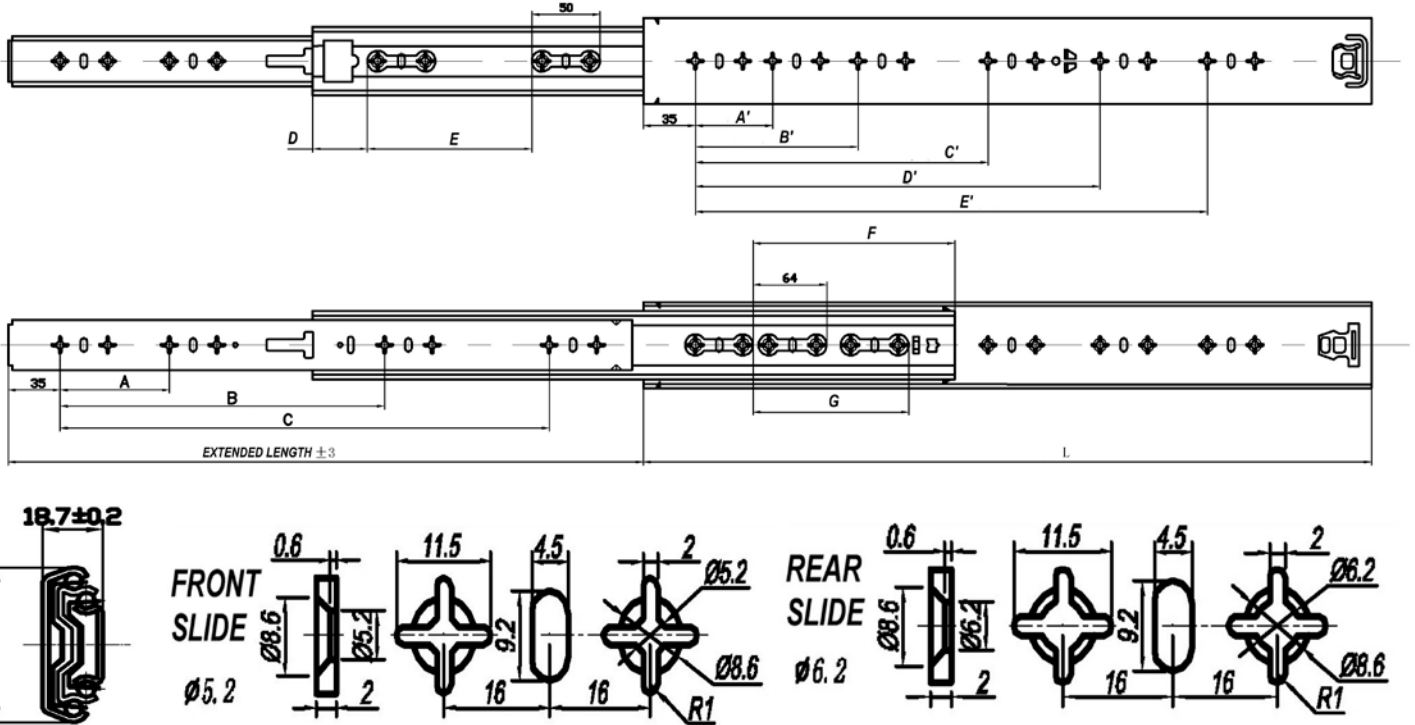
# **Duraslide Australia Technical Specifications**

# DURASLIDE 45 KG



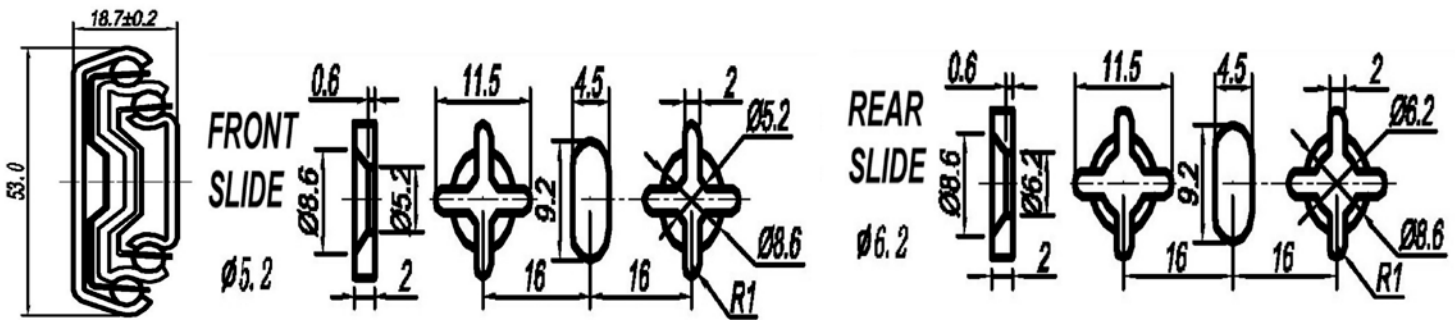
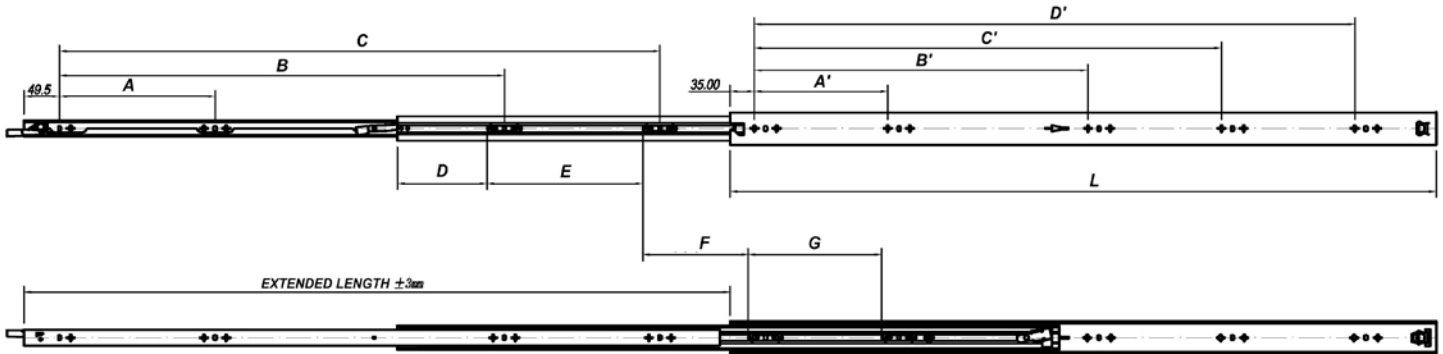
Part	L	kilo	A	B	C	D	E	F	G	H	A'	B'	C'	D'
DSL300	300	45	35	96	192	n/a	n/a	n/a	n/a	n/a	35	64	224	n/a
DSL350	350	45	35	128	256	n/a	n/a	n/a	n/a	n/a	35	64	224	n/a
DSL400	400	45	35	128	320	n/a	n/a	n/a	n/a	n/a	35	64	224	n/a
DSL450	450	45	35	160	352	n/a	n/a	n/a	n/a	n/a	35	64	224	n/a
DSL500	500	45	35	192	416	n/a	416	n/a	n/a	n/a	35	64	224	352
DSL550	550	40	35	224	448	n/a	416	n/a	n/a	n/a	35	64	224	352
DSL600	600	35	35	224	512	n/a	480	n/a	n/a	n/a	35	64	224	352
DSL650	650	35	35	256	544	n/a	512	n/a	n/a	n/a	35	64	224	352
DSL700	700	30	35	288	608	n/a	480	608	n/a	n/a	35	64	224	352
DSL800	800	30	35	256	512	704	480	608	n/a	n/a	35	64	224	352
DSL900	900	25	35	288	608	800	480	608	n/a	n/a	35	64	224	352

# DURASLIDE 125 KG NON-LOCKING



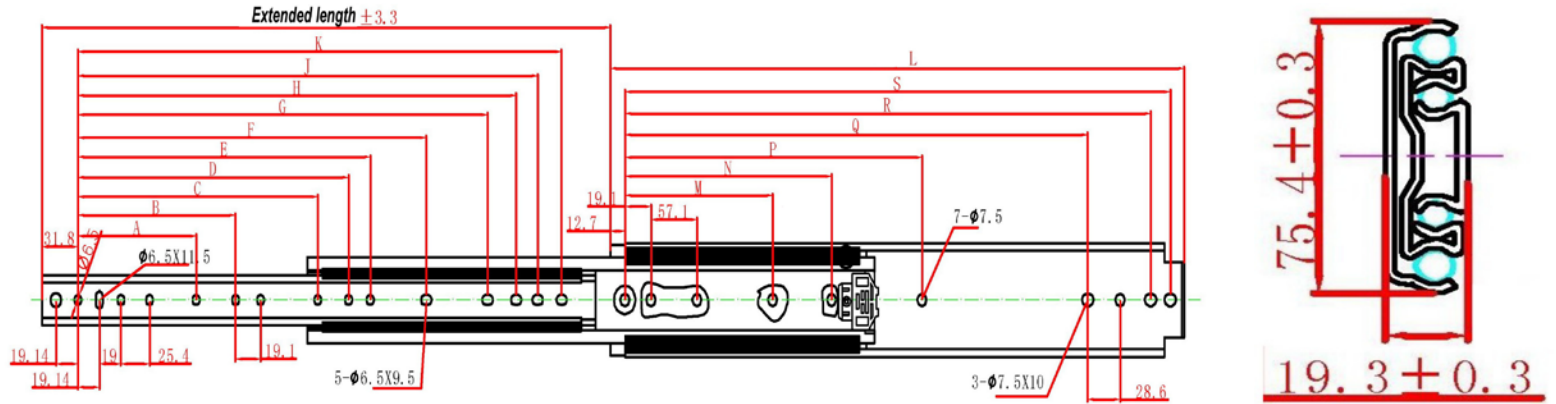
Part	L	Kilo	A	B	C	D	E	F	G	A'	B'	C'	D'	E'
DSMD300	300	125	192	n/a	n/a	64	n/a	42	n/a	192	n/a	n/a	n/a	n/a
DSMD350	350	125	256	n/a	n/a	72	n/a	100	n/a	64	n/a	n/a	n/a	n/a
DSMD400	400	125	96	288	n/a	75	n/a	125	n/a	64	n/a	n/a	n/a	n/a
DSMD450	450	125	128	320	n/a	89	n/a	139	n/a	64	n/a	320	n/a	n/a
DSHD500	500	125	160	384	n/a	121	n/a	175	n/a	64	n/a	384	n/a	n/a
DSMD550	550	110	160	416	n/a	138	n/a	192	n/a	64	n/a	416	n/a	n/a
DSMD600	600	105	192	480	n/a	190	n/a	202	n/a	64	n/a	416	480	n/a
DSMD650	650	100	224	384	512	48	128	250	192	64	192	288	448	n/a
DSMD700	700	95	224	416	576	65	160	265	192	64	192	320	480	n/a
DSMD750	750	90	224	448	608	60	160	300	192	64	192	352	512	n/a
DSMD800	800	85	224	480	672	69	192	325	192	64	192	384	544	n/a
DSMD850	850	80	224	512	736	75	224	350	192	64	192	416	576	n/a
DSMD900	900	75	224	512	768	50	256	375	192	64	192	448	608	n/a
DSMD1000	1000	70	224	640	864	144	224	410	192	64	192	480	672	864

# DURASLIDE 125 KG LOCKING



Part Number	L	Kilo	A	B	C	D	E	F	G	A'	B'	C'	D'
DSMD300L	300	125	192	n/a	n/a	39	75	n/a	n/a	192	n/a	n/a	n/a
DSMD350L	350	125	256	n/a	n/a	75	100	n/a	n/a	224	n/a	n/a	n/a
DSMD400L	400	125	288	n/a	n/a	82	118	n/a	n/a	288	n/a	n/a	n/a
DSMD450L	450	125	96	320	n/a	89	137	n/a	n/a	192	320	n/a	n/a
DSHD500L	500	125	128	384	n/a	128	123	n/a	n/a	224	384	n/a	n/a
DSMD550L	550	110	160	416	n/a	135	143	n/a	n/a	256	416	n/a	n/a
DSMD600L	600	105	160	480	n/a	174	129	n/a	n/a	288	480	n/a	n/a
DSMD650L	650	100	192	384	512	53	128	148	n/a	288	512	n/a	n/a
DSMD700L	700	95	224	416	576	60	160	135	n/a	320	576	n/a	n/a
DSMD750L	750	90	224	448	608	67	160	154	192	192	384	608	n/a
DSMD800L	800	85	224	480	672	74	192	140	192	192	384	544	672
DSMD850L	850	80	224	512	736	81	224	128	192	192	416	576	736
DSMD900L	900	75	224	512	768	55	256	146	192	192	448	608	768
DSMD1000L	1000	70	224	640	864	134	224	152	192	192	480	672	864

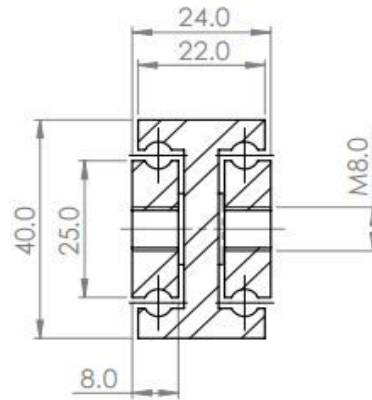
# DURASLIDE 225 KG NON-LOCKING



Part	L	Kilo	A	B	C	D	E	F	G	H	J	K	M	N	P	Q	R	S
DSHD350	350	<b>225</b>	n/a	n/a	n/a	n/a	n/a	n/a	205	230	249	268	n/a	n/a	n/a	254	311	330
DSHD400	400	<b>225</b>	127	n/a	n/a	n/a	n/a	n/a	255	281	300	319	n/a	n/a	n/a	305	362	381
DSHD450	450	<b>225</b>	127	n/a	n/a	n/a	n/a	241	306	332	351	370	n/a	n/a	n/a	356	413	432
DSHD500	500	<b>225</b>	127	190	n/a	n/a	n/a	297	357	382	402	421	n/a	n/a	n/a	406	464	483
DSHD550	550	<b>225</b>	127	190	n/a	n/a	n/a	348	408	433	452	471	n/a	n/a	n/a	457	514	533
DSHD600	600	<b>225</b>	127	190	n/a	n/a	n/a	398	457	484	503	522	n/a	n/a	n/a	508	565	584
DSHD650	650	<b>225</b>	127	190	n/a	n/a	n/a	449	509	535	554	573	n/a	n/a	n/a	559	616	635
DSHD700	700	<b>225</b>	127	190	n/a	n/a	n/a	500	560	586	605	624	n/a	n/a	n/a	610	667	686
DSHD750	750	<b>225</b>	127	190	368	n/a	n/a	551	611	636	656	675	235	n/a	502	660	718	737
DSHD800	800	<b>220</b>	127	190	368	n/a	n/a	602	662	687	706	725	235	394	552	711	768	787
DSHD850	850	<b>210</b>	127	190	368	470	n/a	652	713	738	757	776	235	419	603	762	819	838
DSHD900	900	<b>205</b>	127	190	368	521	n/a	703	763	789	808	827	235	444	654	813	870	889
DSHD950	950	<b>200</b>	127	190	368	521	n/a	754	814	840	859	878	235	470	705	864	921	940
DSHD1000	1000	<b>195</b>	127	190	368	521	n/a	805	865	890	910	930	235	495	756	914	972	991
DSHD1050	1050	<b>190</b>	127	190	368	521	724	856	916	941	960	979	235	521	806	965	1022	1041
DSHD1100	1100	<b>185</b>	127	190	368	521	n/a	906	967	992	1011	1030	235	546	857	1016	1073	1092
DSHD1150	1150	<b>180</b>	127	190	368	521	n/a	957	1017	1043	1062	1081	235	571	908	1067	1124	1143
DSHD1200	1200	<b>170</b>	127	190	368	521	825	1008	1068	1094	1113	1132	235	597	959	1118	1175	1194
DSHD1300	1300	<b>165</b>	127	190	368	521	825	1110	1170	1195	1214	1233	235	570	960	1219	1276	1295
DSHD1350	1350	<b>160</b>	127	190	368	521	825	1160	1221	1246	1265	1284	235	597	959	1270	1327	1346
DSHD1400	1400	<b>155</b>	127	190	368	521	825	1211	1271	1297	1316	1335	235	597	959	1321	1378	1397
DSHD1450	1450	<b>150</b>	127	190	368	521	825	1262	1322	1348	1367	1386	235	597	959	1371	1429	1448
DSHD1500	1500	<b>140</b>	127	190	368	521	825	1313	1373	1398	1418	1437	235	597	959	1422	1480	1499



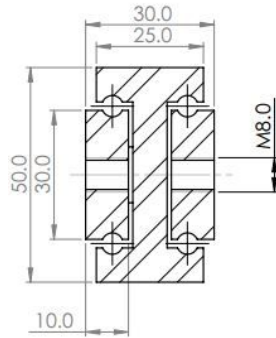
## DURASLIDE ULTRA HEAVY DUTY



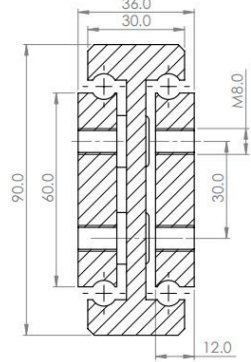
**DTS - 40**

Part Number	Closed Length (mm)	Extension (mm)	Max Load Capacity (kg)
15.4024.0150	150mm	150mm	180kg
15.4024.0200	200mm	200mm	250kg
15.4024.0250	250mm	250mm	245kg
15.4024.0300	300mm	300mm	240kg
15.4024.0350	350mm	350mm	235kg
15.4024.0400	400mm	400mm	230kg
15.4024.0450	450mm	450mm	225kg
15.4024.0500	500mm	500mm	220kg
15.4024.0550	550mm	550mm	210kg
15.4024.0600	600mm	600mm	205kg
15.4024.0650	650mm	650mm	200kg
15.4024.0700	700mm	700mm	195kg
15.4024.0750	750mm	750mm	190kg
15.4024.0800	800mm	800mm	180kg
15.4024.0850	850mm	850mm	170kg
15.4024.0900	900mm	900mm	160kg
15.4024.0950	950mm	950mm	150kg
15.4024.1000	1000mm	1000mm	140kg
15.4024.1050	1050mm	1050mm	130kg
15.4024.1100	1100mm	1100mm	120kg
15.4024.1150	1150mm	1150mm	110kg
15.4024.1200	1200mm	1200mm	100kg
15.4024.1250	1250mm	1250mm	95kg
15.4024.1300	1300mm	1300mm	90kg
15.4024.1350	1350mm	1350mm	85kg
15.4024.1400	1400mm	1400mm	80kg
15.4024.1450	1450mm	1450mm	75kg
15.4024.1500	1500mm	1500mm	70kg

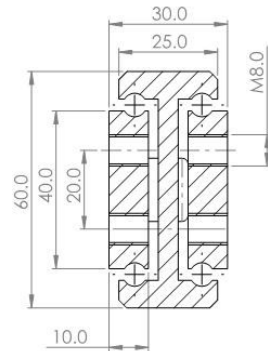
# DURASLIDE ULTRA HEAVY DUTY



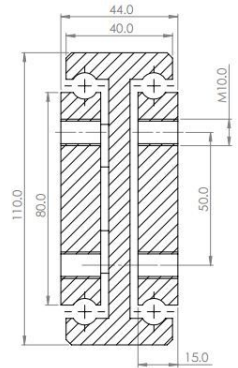
**DTS - 50**



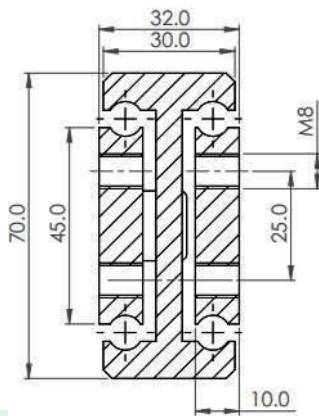
**DTS - 90**



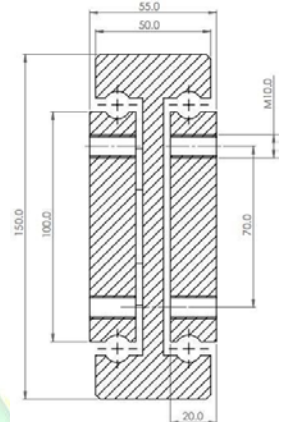
**DTS - 60**



**DTS - 110**



**DTS - 70**



**DTS - 150**

**\*\*Contact us and let us provide you with a competitive quote for your specific needs\*\***