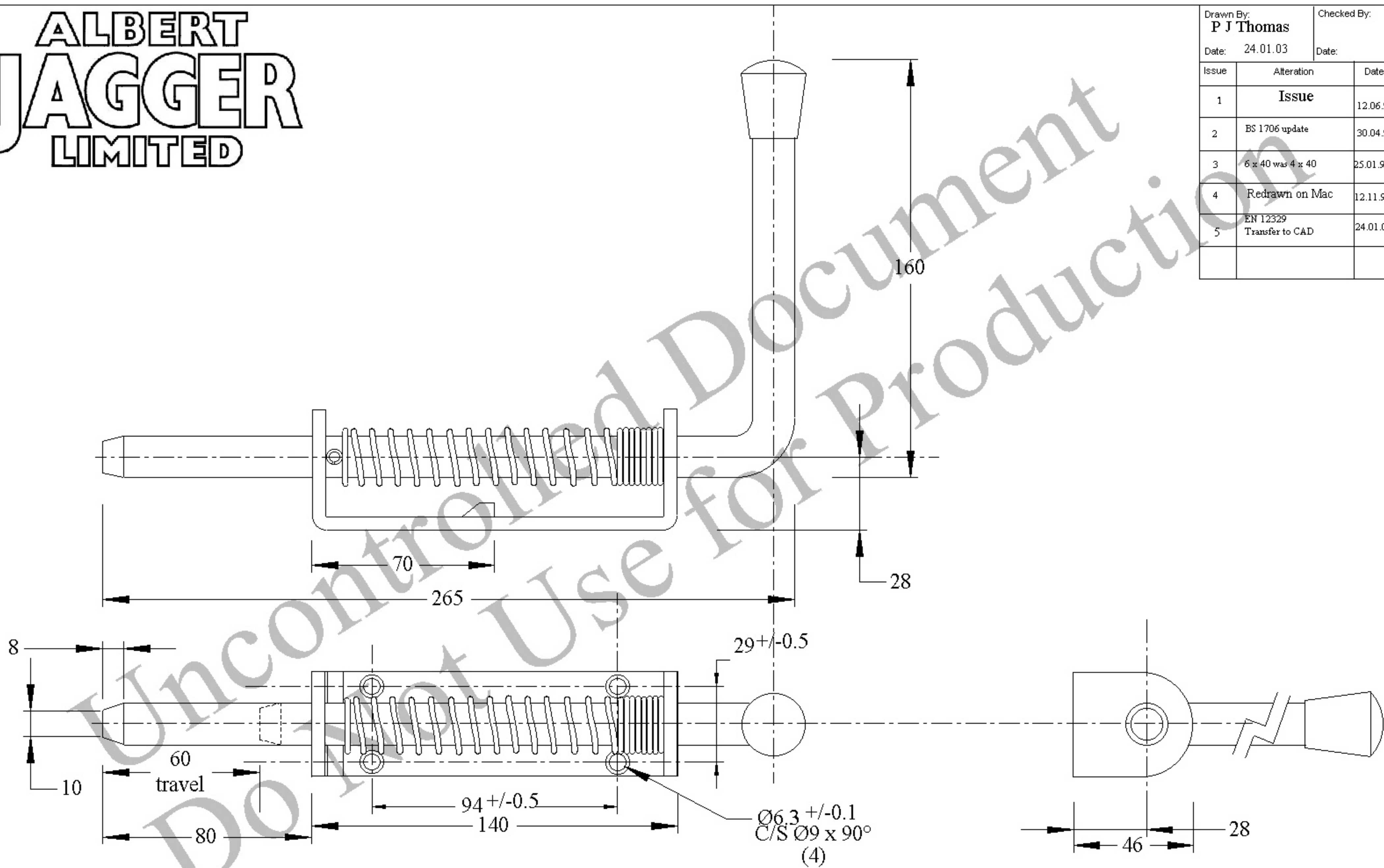


Drawn By: P J Thomas		Checked By:	
Date: 24.01.03		Date:	
Issue	Alteration	Date	By
1	Issue	12.06.90	PJT
2	BS 1706 update	30.04.91	PJT
3	6 x 40 was 4 x 40	25.01.93	PJT
4	Redrawn on Mac	12.11.99	ML
5	EN 12329 Transfer to CAD	24.01.03	PJT



This drawing and its copyright belongs to:

Albert Jagger Ltd
Green Lane
Walsall
West Midlands
WS2 8HG

Phone: 01922 471000
Fax: 01922 648021
E-mail: user@albert-jagger.co.uk

First Angle Projection

Do Not Scale

Material
Mild steel

Description:
5/8" spring bolt

Tolerances for
Untoleranced
Dimensions

up to 10mm

>10 < 50mm

>50 < 200mm

>200mm

+/-0.5mm

+/-1.0mm

+/-2.0mm

+/-3.0mm

Finish: Zinc plate
EN12329
Fe//ZN8//A

Drawing Number:
0840/002App