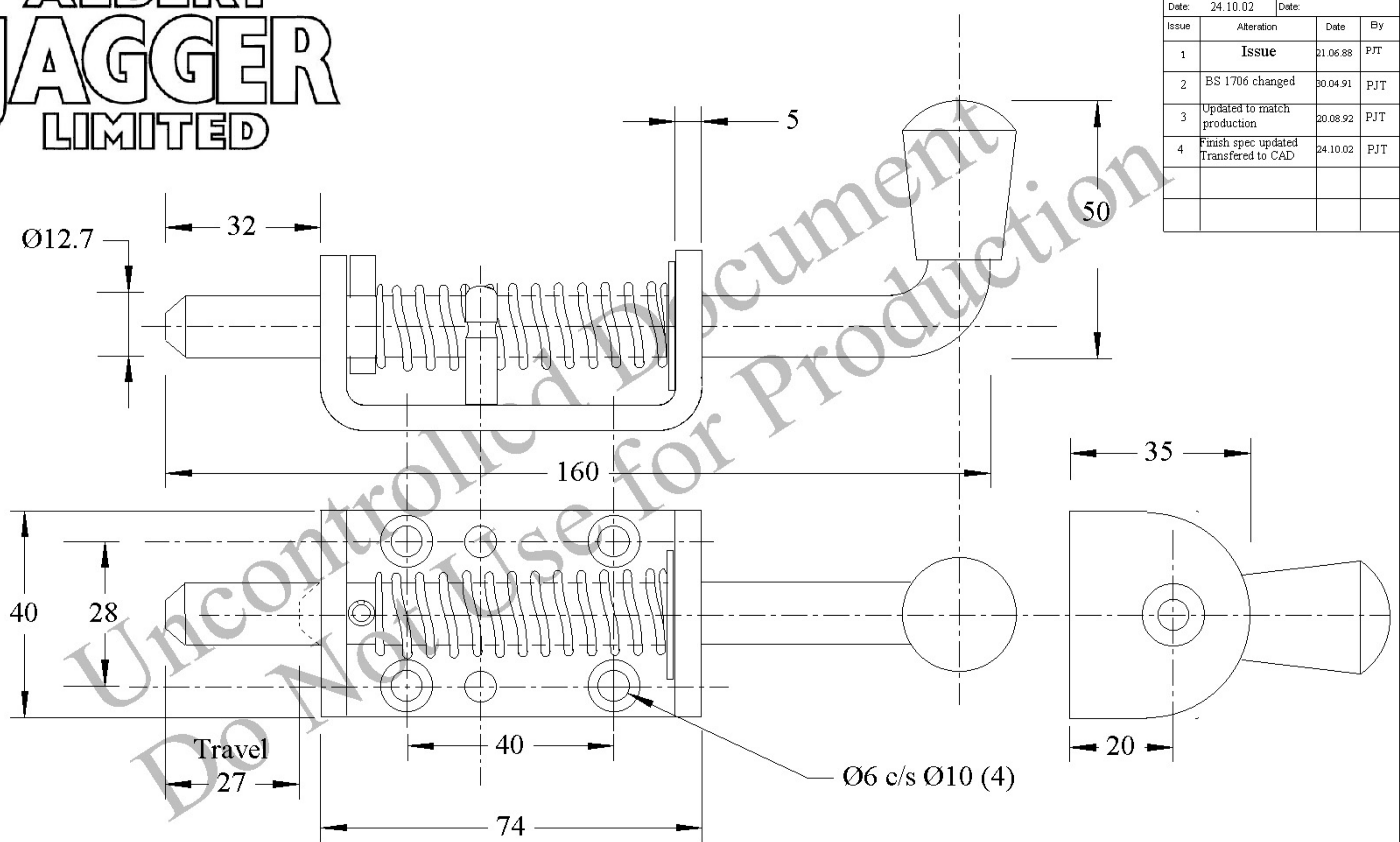


ALBERT JAGGER LIMITED

Drawn By: P J Thomas		Checked By:	
Date: 24.10.02		Date:	
Issue	Alteration	Date	By
1	Issue	21.06.88	PJT
2	BS 1706 changed	30.04.91	PJT
3	Updated to match production	20.08.92	PJT
4	Finish spec updated Transferred to CAD	24.10.02	PJT



This drawing and its copyright belongs to:

Albert Jagger Ltd
Green Lane
Walsall
West Midlands
WS2 8HG

Phone: 01922 627373
Fax: 01922 648021
E-mail: user@albert-jagger.co.uk

First Angle Projection	Do Not Scale			
	up to 10mm	>10 < 50mm	>50 < 200mm	>200mm
Tolerances for Untoleranced Dimensions	+/-0.5mm	+/-1.0mm	+/-2.0mm	+/-3.0mm

Material
See component drawings

Finish:
Zinc plate EN12329
Fe//Zn8//A
before assembly

Description:
12mm Spring bolt

Drawing Number:
0837/001