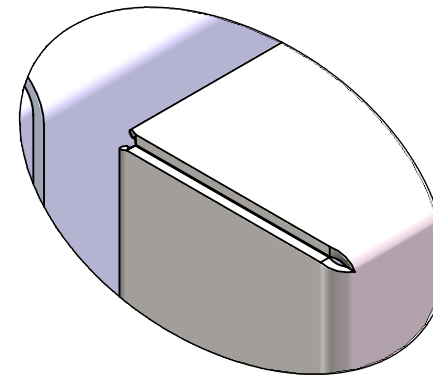
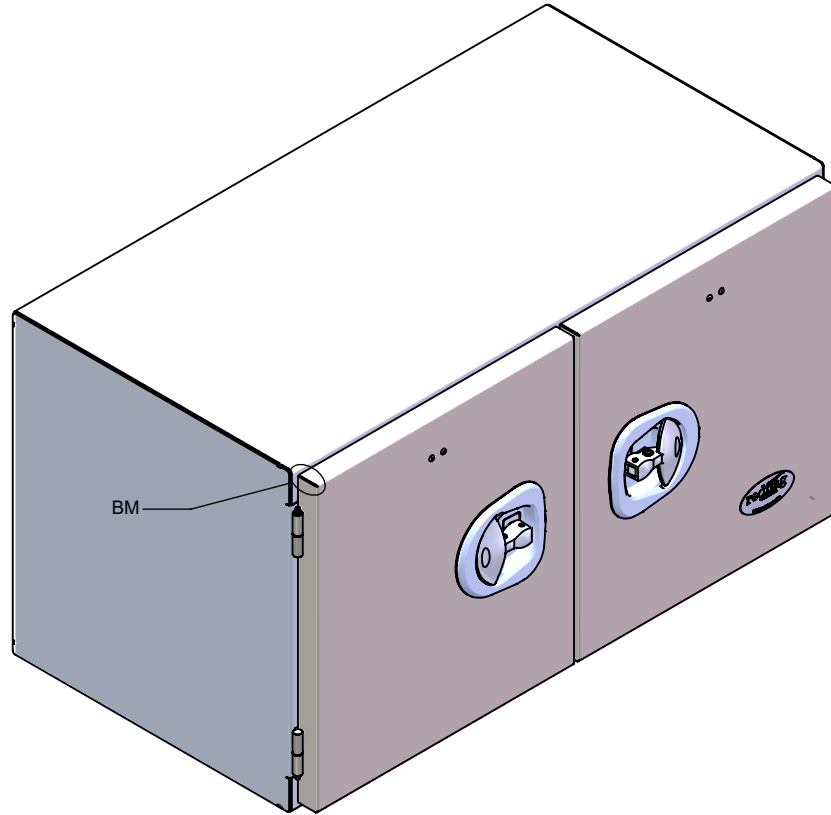


REVISIONS			
PRO REV	DATE	ALTERATION	AUTH
0	08-09-2023	AS PER INFO EMAIL OF CLIENT	V3224
	26-09-2023	AS PER INFO EMAIL OF CLIENT (Add Client code)	V3224

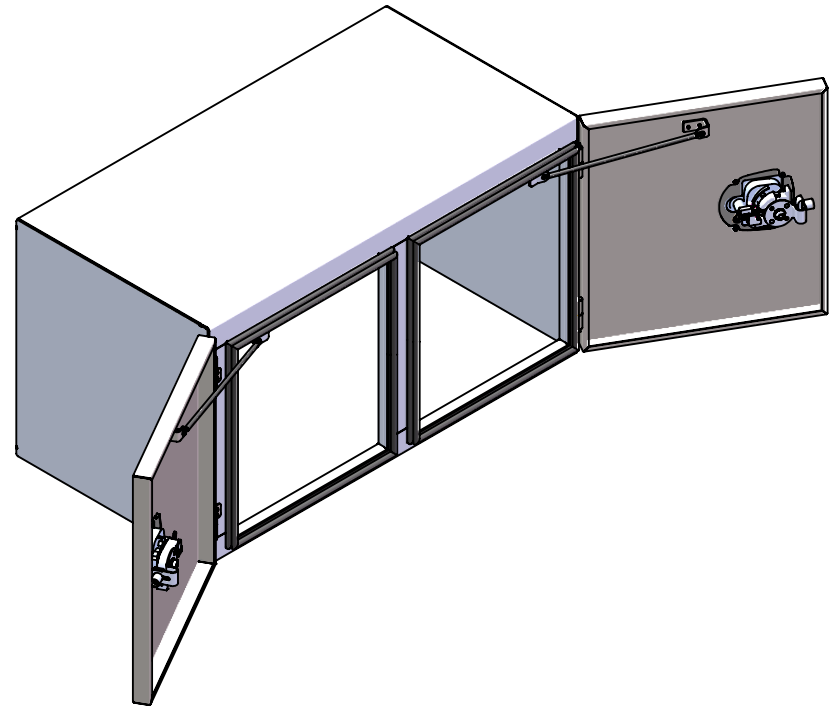
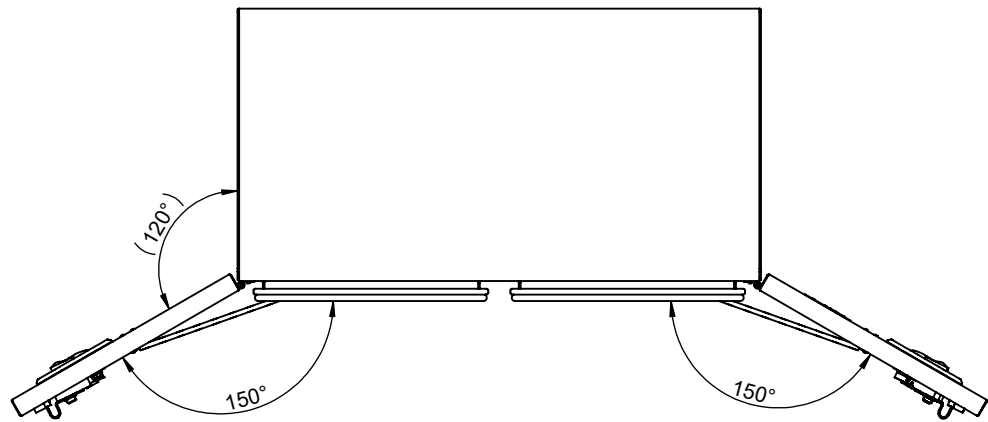


DETAIL BM

MO:	Batch:	Product Description: Aluminum ToolBox (Heavy Duty) with S-Steel Double Door(L900xH500xD500)	0	26-09-2023	AS PER INFO EMAIL OF CLIENT (Add Client code)					V3224					
Quantity Batch:	Product Code: <b>001-001-0599NZ</b>		PRO REV.	DATE	ALTERATION					AUTH.					
Contract #:	Dwg Description: <b>REVISION</b>				Linear	>0-3	>3-6	>6-30	>30-120		>120-400	>400-1000	>1000-2000	>2000-4000	>4000-8000
Contract Ref:	Client: <b>RF/Reid &amp; Twiname</b>		Client Code: <b>TBALSSDD900</b>		→	±0.15	±0.2	±0.5	±0.8	±1.2	±2	±3	±4	±5	±1°
Approved By:	Date:	Client Dwg Ref: <b>RF/Reid &amp; Twiname</b>		Client Rev: <b>0</b>		Flatness	>0-10	>10-30	>30-100	>100-300	>300-1000	>1000-3000			
Signature By:	Date:	Product Finish: <b>BODY: Matte/ DOOR: Mirror</b>		NOTE: All dimensions in mm (unless noted otherwise)		→	0.1	0.2	0.4	0.8	1.2	1.6			
						W =21.99 (Kg)		Sheet 1 of 4			3rd Angle Projection				

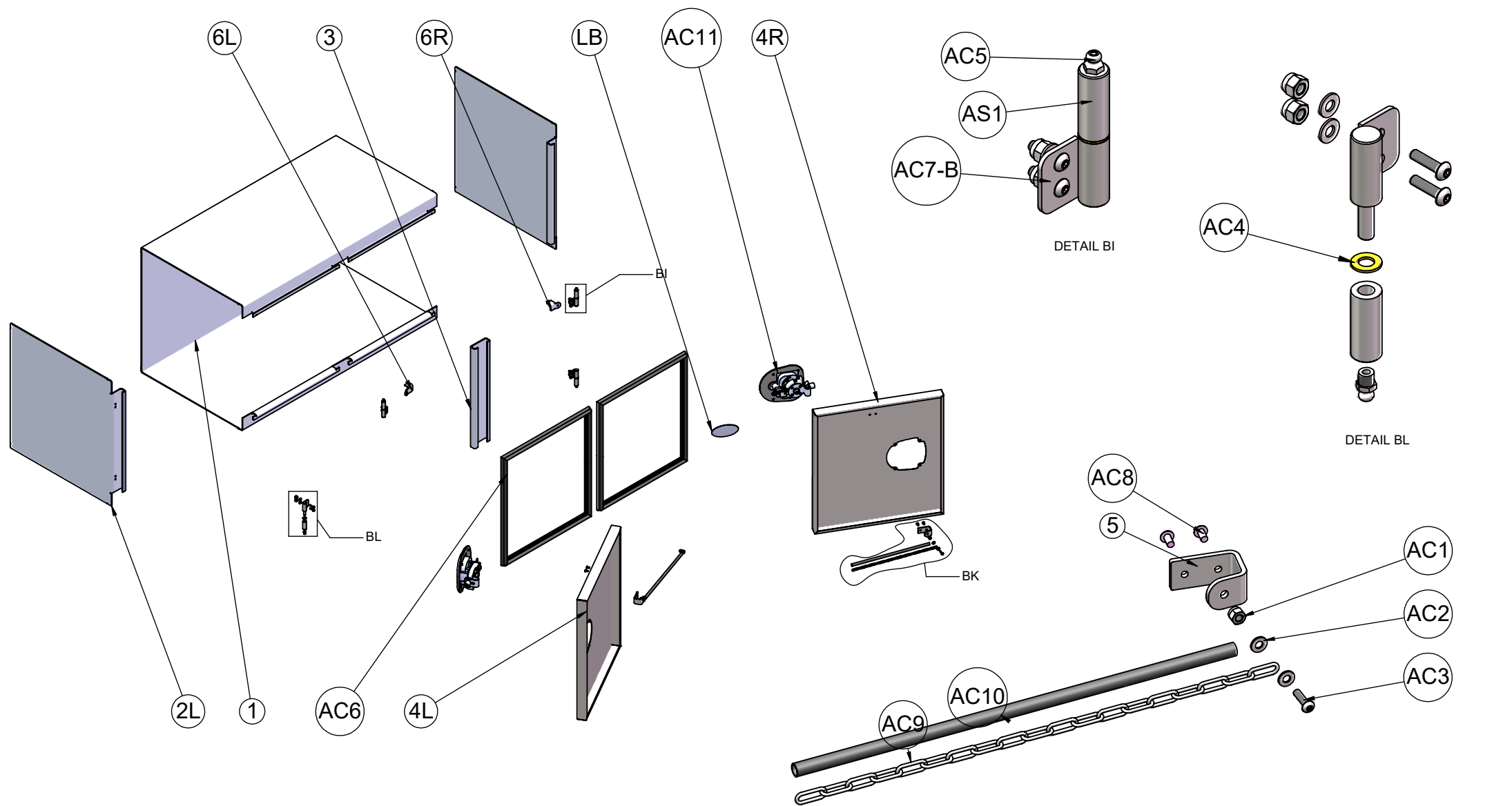
List of Part

Part #	Code	Description	Material Spec	Size	Qty.	Unit	Total
1	902-040-0050-1	3(+/-0.075)mmT x 1200 x 2400 Aluminum Flat Sheet (A1050-H14)	A1050-H14	1576x894x3 mm	1	Sheet	0.0000
2L	902-040-0050-1	3(+/-0.075)mmT x 1200 x 2400 Aluminum Flat Sheet	A1050-H14	536x497x3 mm	1	Sheet	0.0000
2R	902-040-0050-1	3(+/-0.075)mmT x 1200 x 2400 Aluminum Flat Sheet	A1050-H14	536x497x3 mm	1	Sheet	0.0000
3	902-040-0050-1	3(+/-0.075)mmT x 1200 x 2400 Aluminum Flat Sheet	A1050-H14	397x129x3 mm	1	Sheet	0.0000
4L	903-040-0015-1	1.2(+/-0.1)mmT x 1220 x 2440 S/Steel Flat Sheet	SUS304 JIS G4305	553.6x511.1x56.9mm	1	Sheet	0.0905
4R	903-040-0015-1	1.2(+/-0.1)mmT x 1220 x 2440 S/Steel Flat Sheet	SUS304 JIS G4305	553.6x511.1x56.9mm	1	Sheet	0.0905
5	903-041-0050-1	3(+/-0.22)mmT x 1220 x 2440 S/Steel Flat Sheet	SUS304 JIS G4305	81x20x3 mm	2	Sheet	0.0000
6L	902-040-0050-1	3(+/-0.075)mmT x 1200 x 2400 Aluminum Flat Sheet	A1050-H14	40x38x3 mm	1	Sheet	0.0000
6R	902-040-0050-1	3(+/-0.075)mmT x 1200 x 2400 Aluminum Flat Sheet	A1050-H14	40x38x3 mm	1	Sheet	0.0000
AC1	914-047-0009	Nyloc Nut : M4 x pitch 0.7 Stainless Steel	S/Steel 304	-	11	Pcs	11
AC2	914-098-0004	Stainless steel washer to suit M4 OD 10mm x 1mm	Stainless steel	-	14	Pcs	14
AC3	914-016-0990	Hex socket (allen Key) & Domed Head bolt M4 x 15mm L x 0.7 pitch	Stainless Steel	-	11	Pcs	11
AC4	914-096-0010	Flat Washer M6 x 6.1mmID x 12mmOD x 1mmT	Brass	-	4	Pcs	4
AC5	915-060-0000	M6 grease nipple	Steel	-	4	Pcs	4
AC6	915-008-0000	Rubber Dust Proof Seal , 8mm dia rubber seal Plastic pinch type (Use Lenght 3020mm)	Rubber	1690 mm	2	Pcs	2
AC7-A	SFP-010-0166	Barrel Hinge Male Part (S-Steel) Bolt on LH	Grade: 304	-	2	Pcs	2
AC7-B	SFP-010-0165	Barrel Hinge Male Part (S-Steel) Bolt on RH	Grade: 304	-	2	Pcs	2
AC8	914-350-2200	S/Steel Rivets Sealed Dome/Truss Head 4 dia x 8mmL (Rive Nut)	S/Steel: 304	-	4	Pcs	4
AC9	915-013-0000	Stainless Steel chain 20mm x 8mm x 2mm (Use Lenght 310mm)	Stainless Steel	300 mm	38	Length	38
AC10	915-009-0005	8mm dia Black Plastic Heat Shrink (Use Lenght 280mm)	Plastic	280mm	2	Pcs	2
AC11	915-006-0009	T-Paddle handle lock Edge Style (T-latch 50054) c/w Gasket & metal lock cover	S/Steel:304	50054	2	Pcs	2
AS1	SFP-010-0160	Barrel Hinge Female Part (S-Steel) Weld on	Grade: 304	-	4	Pcs	4
BOX	920-203-2025	Card board Box (Girl/Boy-3ply): L910(0/-5) x H510(0/-5) x D510(0/-5) TransQuip : L900xH500xD500	Girl/Boy: 3 ply	L910xH510xD510	1	Pcs	1
GLUE	920-022-0012	Heavy Duty Adhesive Glue	-	-	1	Pcs	1
LB	919-100-0050	"RED FLAG Logo with www.retwine.co.nz"-Oval-shaped Label,90mmL x 45mmH	S/Steel 304	-	1	Pcs	1



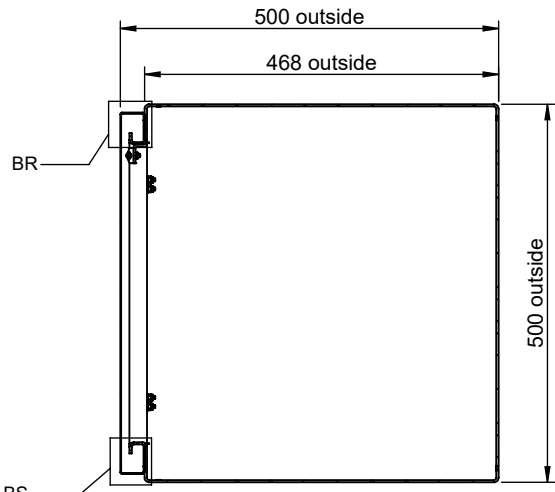
**Note:**  
 - No burrs, sharp edges.  
 - Move carefully, avoid collisions, scratches, dents.

MO:	Batch:	Product Description: <b>Aluminum ToolBox (Heavy Duty) with S-Steel Double Door(L900xH500xD500)</b>	0	26-09-2023	AS PER INFO EMAIL OF CLIENT (Add Client code)					V3224			
Quantity Batch:		Product Code: <b>001-001-0599NZ</b>	PRO REV.		DATE					AUTH.			
Contract #:		Dwg Description: <b>LIST OF MATERIAL(1)</b>	Linear	>0-3	>3-6	>6-30	>30-120	>120-400	>400-1000	>1000-2000	>2000-4000	>4000-8000	Angle Tolerance
Contract Ref:		Client: <b>RF/Reid &amp; Twiname</b>	→	±0.15	±0.2	±0.5	±0.8	±1.2	±2	±3	±4	±5	±1°
Approved By:	Date:	Client Dwg Ref: <b>RF/Reid &amp; Twiname</b>	Client Code: <b>TBALSSDD900</b>	Client Rev: <b>0</b>	Flatness	>0-10	>10-30	>30-100	>100-300	>300-1000	>1000-3000		
Signature By:	Date:	Product Finish: <b>BODY: Matte/ DOOR: Mirror</b>	NOTE: All dimensions in mm (unless noted otherwise)		→	0.1	0.2	0.4	0.8	1.2	1.6		
					W =21.99 (Kg)			Sheet 2 of 4			3rd Angle Projection		

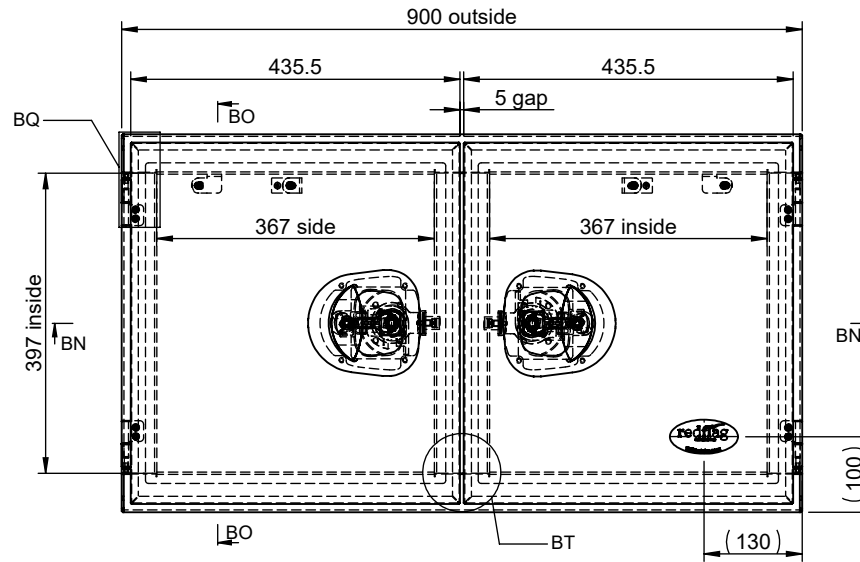


**Note:**  
 - No burrs, sharp edges.  
 - Move carefully, avoid collisions, scratches, dents.

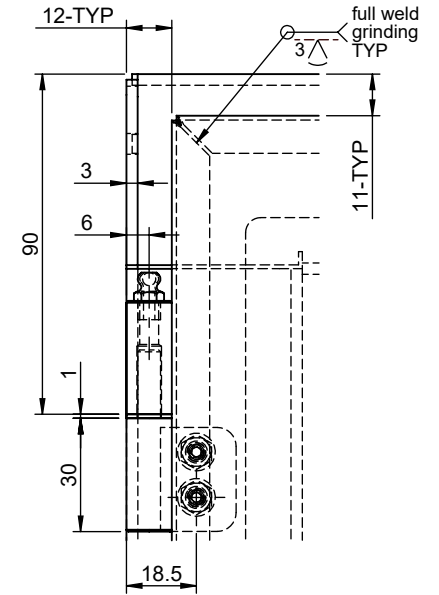
MO:	Batch:	Product Description: <b>Aluminum ToolBox (Heavy Duty) with S-Steel Double Door(L900xH500xD500)</b>	0	26-09-2023	AS PER INFO EMAIL OF CLIENT (Add Client code)					V3224			
Quantity Batch:		Product Code: <b>001-001-0599NZ</b>	PRO REV.		DATE		ALTERATION				AUTH.		
Contract #:		Dwg Description: <b>LIST OF MATERIAL(2)</b>	Linear	>0-3	>3-6	>6-30	>30-120	>120-400	>400-1000	>1000-2000	>2000-4000	>4000-8000	Angle Tolerance
Contract Ref:		Client: <b>RF/Reid &amp; Twiname</b>	→	±0.15	±0.2	±0.5	±0.8	±1.2	±2	±3	±4	±5	±1°
Approved By:	Date:	Client Dwg Ref: <b>RF/Reid &amp; Twiname</b>	Flatness	>0-10	>10-30	>30-100	>100-300	>300-1000	>1000-3000				
Signature By:	Date:	Product Finish: <b>BODY: Matte/ DOOR: Mirror</b>	→	0.1	0.2	0.4	0.8	1.2	1.6				
			NOTE: All dimensions in mm (unless noted otherwise)				W =21.99 (Kg)		<b>Sheet 3 of 4</b>			3rd Angle Projection	



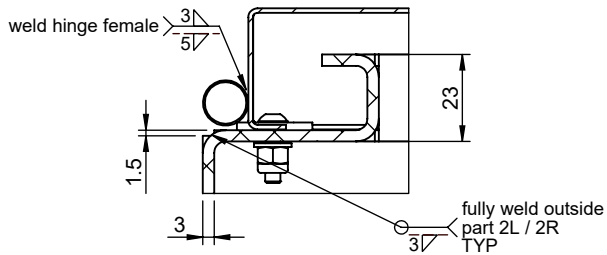
SECTION BO-BO



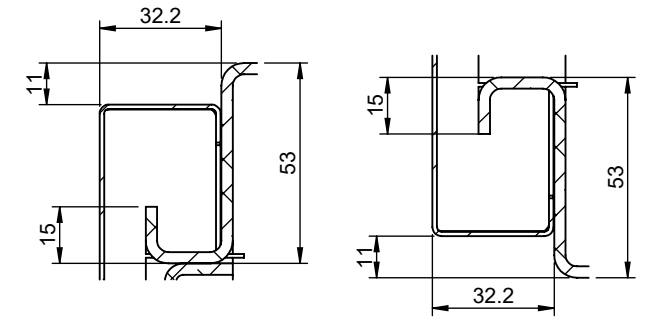
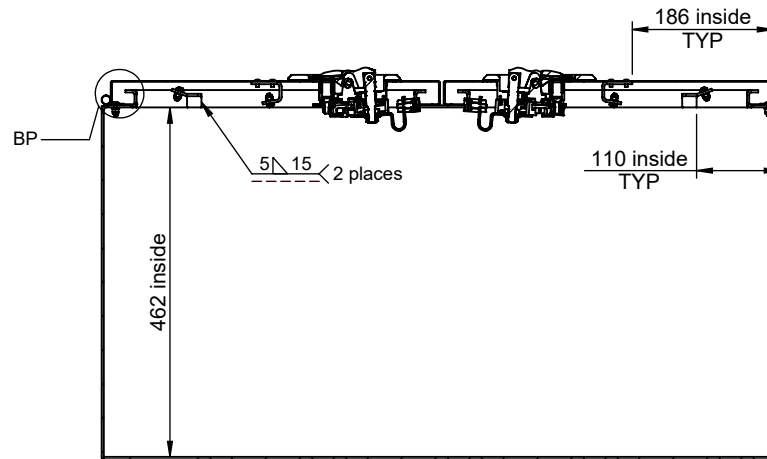
SECTION BN-BN



DETAIL BQ

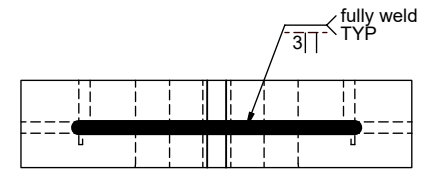


DETAIL BP

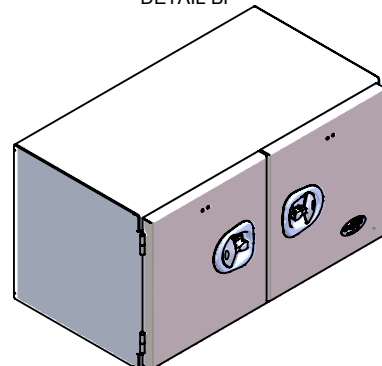


DETAIL BR

DETAIL BS



DETAIL BT



- Note:**
- When soldering wire, seal the assembly gaps.
  - Surface inspection, 100% bavia.
  - 100% weld inspection.
  - Check the position and orientation of the hinge.

MO:	Batch:	Product Description: Aluminum ToolBox (Heavy Duty) with S-Steel Double Door(L900xH500xD500)	0	26-09-2023	AS PER INFO EMAIL OF CLIENT (Add Client code)					V3224
Quantity Batch:		Product Code: <b>001-001-0599NZ</b>								
Contract #:		Dwg Description: <b>DETAIL DRAWING</b>								
Contract Ref:		Client: <b>RF/Reid &amp; Twiname</b>	Client Code: <b>TBALSSDD900</b>							
Approved By:	Date:	Client Dwg Ref: <b>RF/Reid &amp; Twiname</b>	Client Rev: <b>0</b>							
Signature By:	Date:	Product Finish: <b>BODY: Matte/ DOOR: Mirror</b>								
			NOTE: All dimensions in mm (unless noted otherwise)		W =21.99 (Kg)		Sheet 4 of 4			3 rd Angle Projection