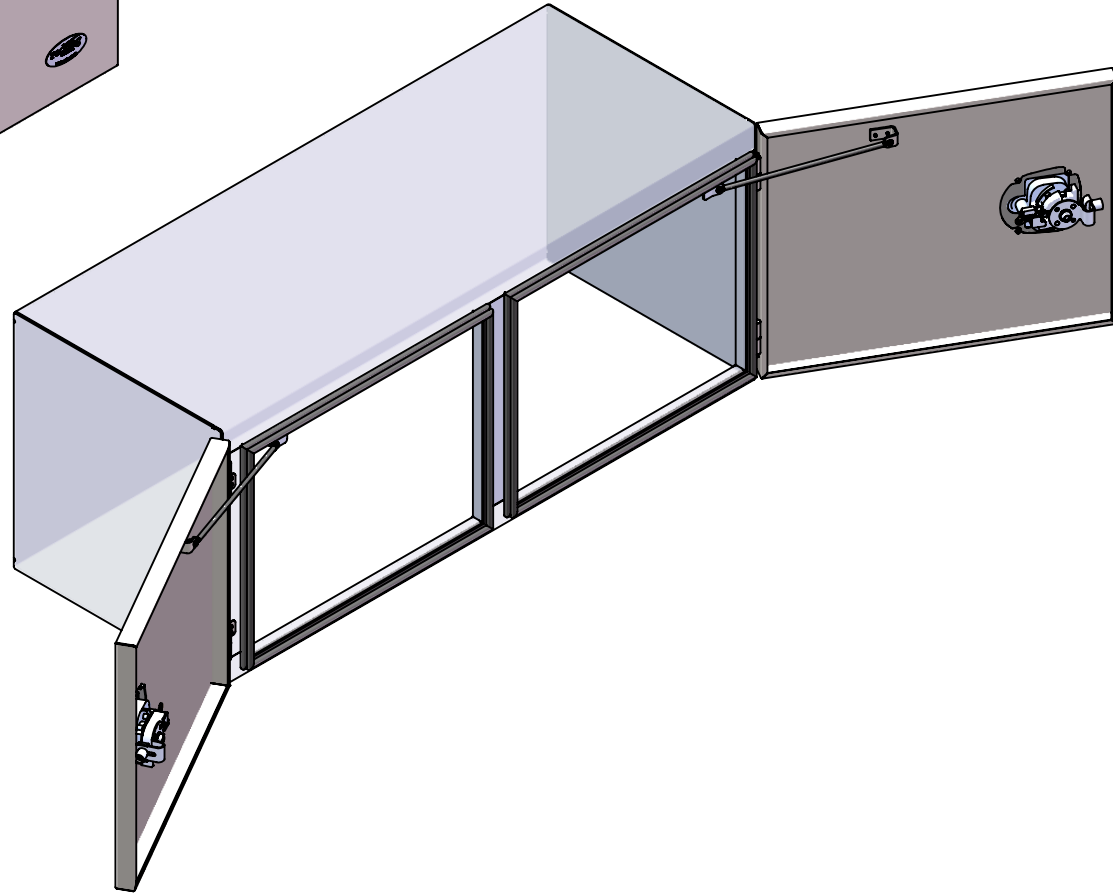
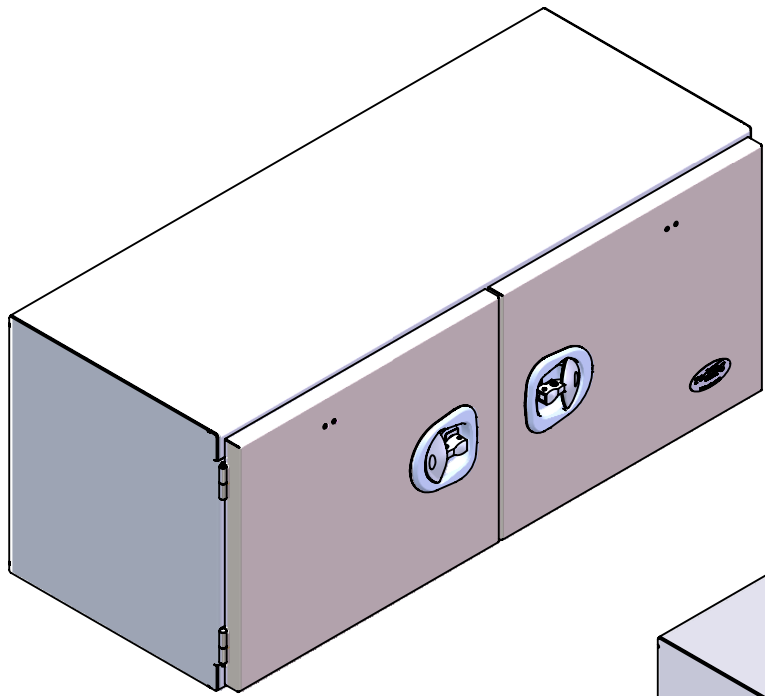


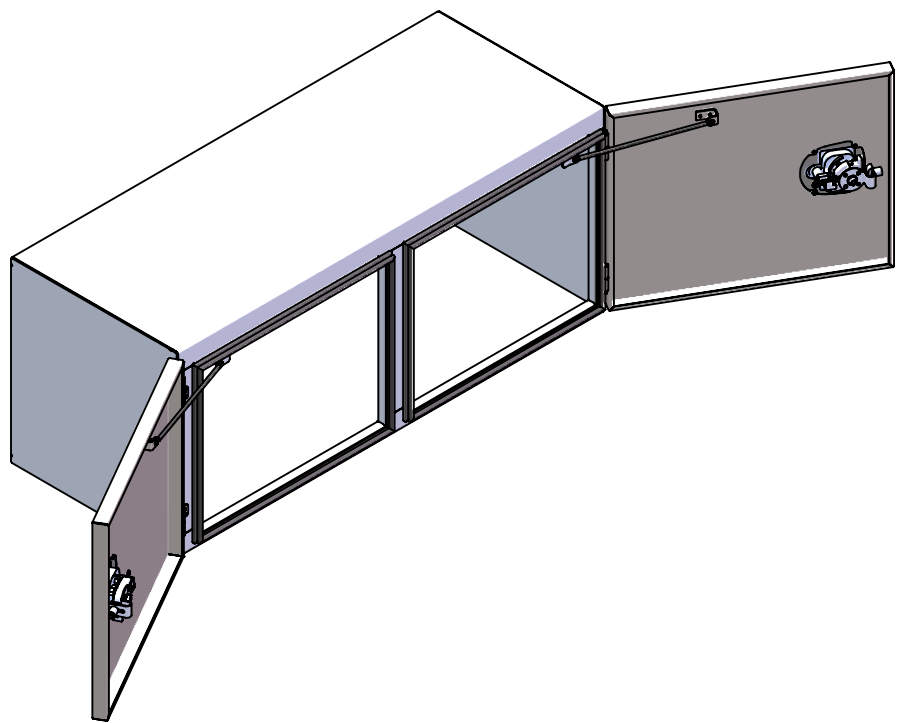
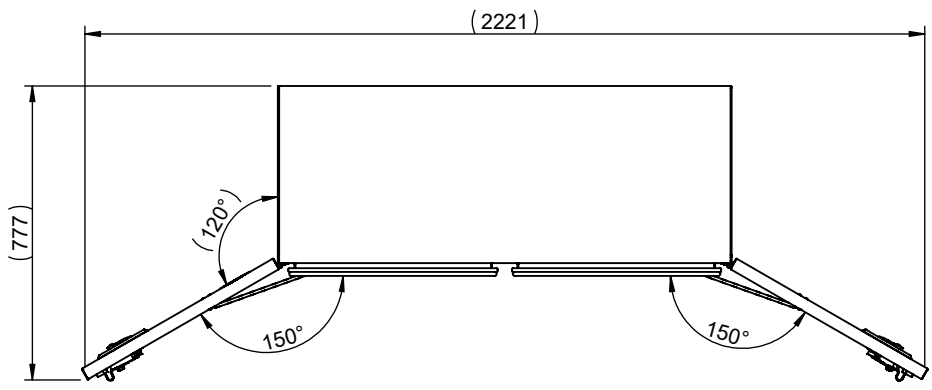
©



REVISIONS			
PRO REV	DATE	ALTERATION	AUTH
0	28-08-2023	AS PER INFO EMAIL OF CLIENT	V3224
	08-09-2023	AS PER INFO EMAIL OF CLIENT	V3224

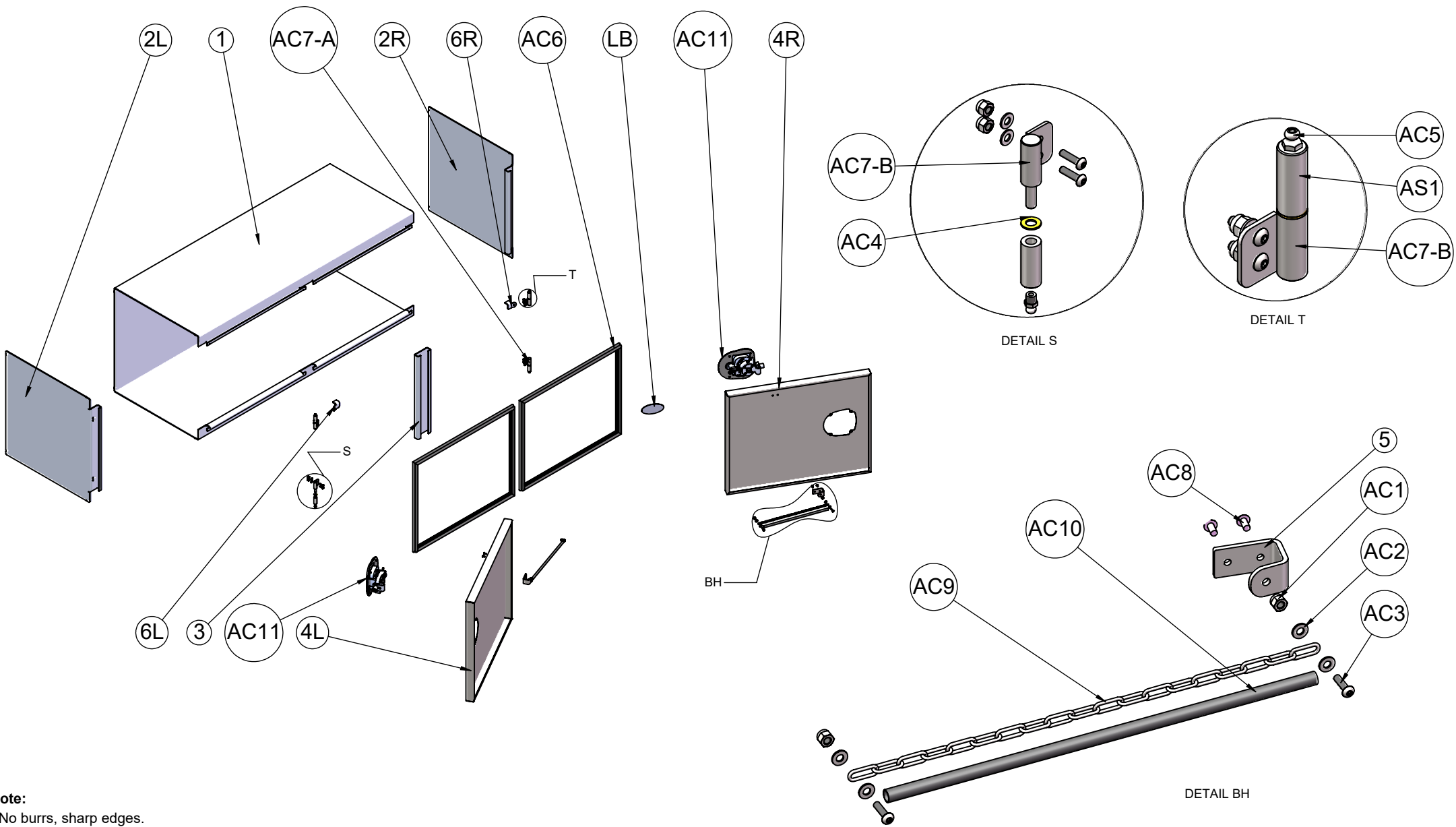
MO:	Batch:	Product Description: Aluminum ToolBox (Heavy Duty) with S-Steel Double Door(L1200xH500xD500)	0	08-09-2023	AS PER INFO EMAIL OF CLIENT	V3224							
Quantity Batch:	Product Code: 001-001-0600NZ												
Contract #:	Dwg Description: REVISION												
Contract Ref:	Client: RF/Reid & Twiname	Client Code: -											
Approved By:	Date:	Client Dwg Ref: RF/Reid & Twiname	Client Rev: 0										
Signature By:	Date:	Product Finish: BODY: Matte/ DOOR: Mirror											
			PRO REV.	DATE	ALTERATION	AUTH.							
			Linear	>0-3	>3-6	>6-30	>30-120	>120-400	>400-1000	>1000-2000	>2000-4000	>4000-8000	Angle Tolerance
			→	±0.15	±0.2	±0.5	±0.8	±1.2	±2	±3	±4	±5	±1°
			Flatness	>0-10	>10-30	>30-100	>100-300	>300-1000	>1000-3000				
			→	0.1	0.2	0.4	0.8	1.2	1.6				
			NOTE: All dimensions in mm (unless noted otherwise)		W =27.85 (Kg)	Sheet 1 of 4		3rd Angle Projection					

List of Part							
Part #	Code	Description	Material Spec	Size	Qty.	Unit	Total
1	902-040-0050-1	3(+/-0.075)mmT x 1200 x 2400 Aluminum Flat Sheet (A1050-H14)	A1050-H14	1577x1197x3 mm	1	Sheet	0.0000
2L	902-040-0050-1	3(+/-0.075)mmT x 1200 x 2400 Aluminum Flat Sheet	A1050-H14	536x497x3 mm	1	Sheet	0.0000
2R	902-040-0050-1	3(+/-0.075)mmT x 1200 x 2400 Aluminum Flat Sheet	A1050-H14	536x497x3 mm	1	Sheet	0.0000
3	902-040-0050-1	3(+/-0.075)mmT x 1200 x 2400 Aluminum Flat Sheet	A1050-H14	397x129x3 mm	1	Sheet	0.0000
4L	903-040-0015-1	1.2(+/-0.1)mmT x 1220 x 2440 S/Steel Flat Sheet	SUS304 JIS G4305	644x536x1.2mm	1	Sheet	0.1105
4R	903-040-0015-1	1.2(+/-0.1)mmT x 1220 x 2440 S/Steel Flat Sheet	SUS304 JIS G4305	644x536x1.2mm	1	Sheet	0.1105
5	903-041-0050-1	3(+/-0.22)mmT x 1220 x 2440 S/Steel Flat Sheet	SUS304 JIS G4305	81x20x3 mm	2	Sheet	0.0000
6L	902-040-0050-1	3(+/-0.075)mmT x 1200 x 2400 Aluminum Flat Sheet	A1050-H14	40x38x3 mm	1	Sheet	0.0000
6R	902-040-0050-1	3(+/-0.075)mmT x 1200 x 2400 Aluminum Flat Sheet	A1050-H14	40x38x3 mm	1	Sheet	0.0000
List of Assembly							
AS1	SFP-010-0160	Barrel Hinge Female Part (S-Steel) Weld on	Grade: 304	-	4	Pcs	4
List of Packing							
AC1	914-047-0009	Nyloc Nut : M4 x pitch 0.7 Stainless Steel	S/Steel 304	-	12	Pcs	12
AC2	914-098-0004	Stainless steel washer to suit M4 OD 10mm x 1mm	Stainless steel	-	16	Pcs	16
AC3	914-016-0990	Hex socket (allen Key) & Domed Head bolt M4 x 15mm L x 0.7 pitch	Stainless Steel	-	12	Pcs	12
AC4	914-096-0010	Flat Washer M6 x 6.1mmID x 12mmOD x 1mmT	Brass	-	4	Pcs	4
AC5	915-060-0000	M6 grease nipple	Steel	-	4	Pcs	4
AC6	915-008-0000	Rubber Dust Proof Seal , 8mm dia rubber seal Plastic pinch type (Use Lenght 3020mm)	Rubber	1840 mm	2	Pcs	2
AC7-A	SFP-010-0166	Barrel Hinge Male Part (S-Steel) Bolt on LH	Grade: 304	-	2	Pcs	2
AC7-B	SFP-010-0165	Barrel Hinge Male Part (S-Steel) Bolt on RH	Grade: 304	-	2	Pcs	2
AC8	914-350-2200	S/Steel Rivets Sealed Dome/Truss Head 4 dia x 8mmL (Rive Nut)	S/Steel: 304	-	4	Pcs	4
AC9	915-013-0000	Stainless Steel chain 20mm x 8mm x 2mm (Use Lenght 310mm)	Stainless Steel	300 mm	1	Length	1
AC10	915-009-0005	8mm dia Black Plastic Heat Shrink (Use Lenght 280mm)	Plastic	280mm	2	Pcs	2
GLUE	920-022-0012	Heavy Duty Adhesive Glue	-	-	1	Pcs	1
BOX	920-203-2025	Card board Box (Girl/Boy-3ply): L1210(0/-5) x H510(0/-5) x D510(0/-5) L1200xH500xD500	Girl/Boy: 3 ply	L1210xH510xD510	1	Pcs	1
AC11	915-006-0009	T-Paddle handle lock Edge Style (T-latch 50054) c/w Gasket & metal lock cover	S/Steel:304	50054	2	Pcs	2
LB	919-100-0050	"RED FLAG Logo with www.retwine.co.nz"-Oval-shaped Label,90mmL x 45mmH	S/Steel 304	-	1	Pcs	1



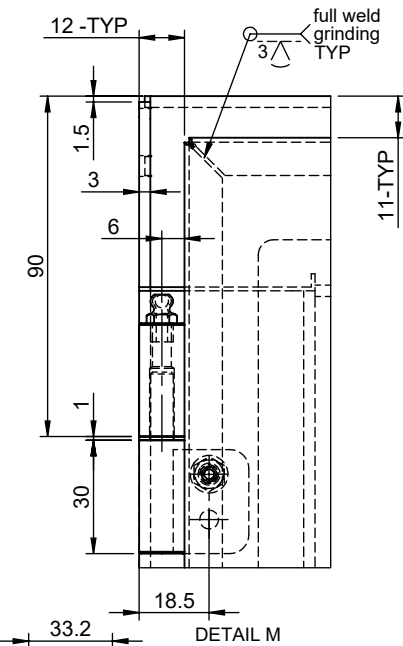
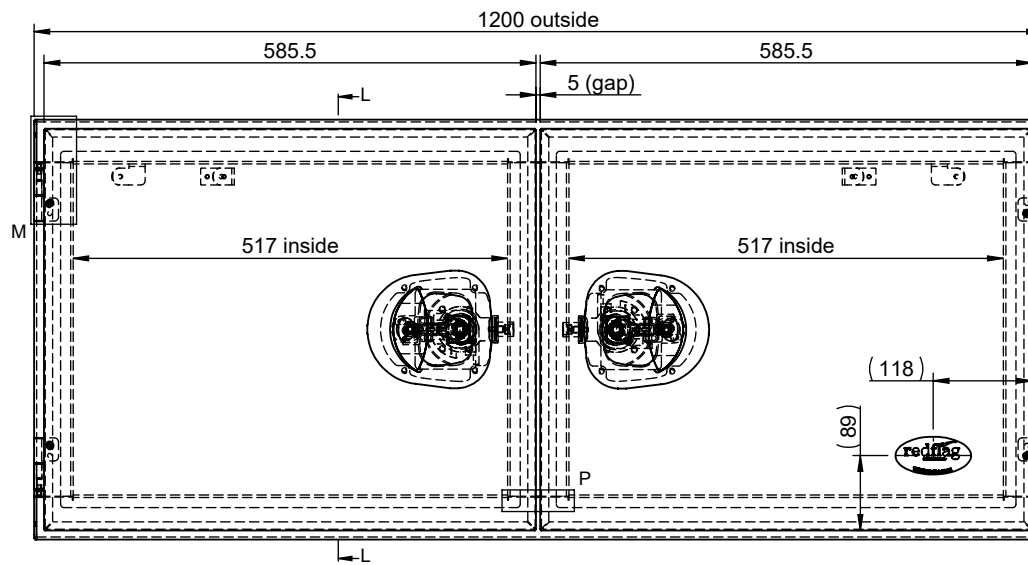
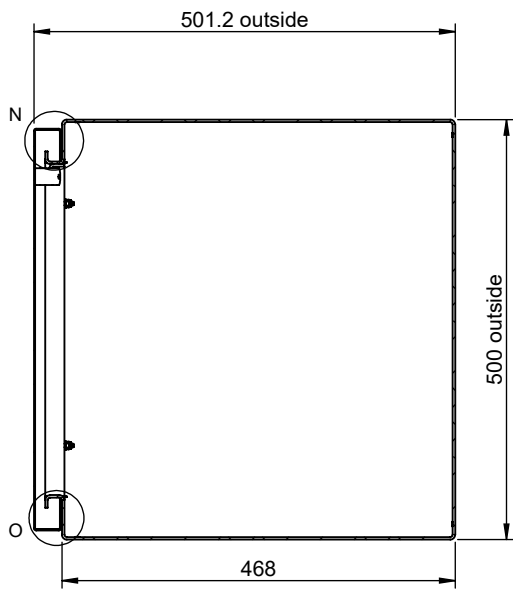
Note:
- No burrs, sharp edges.
- Move carefully, avoid collisions, scratches, dents.

MO:	Batch:	Product Description: Aluminum ToolBox (Heavy Duty) with S-Steel Double Door(L1200xH500xD500)	0	08-09-2023	AS PER INFO EMAIL OF CLIENT					V3224			
Quantity Batch:	Product Code: 001-001-0600NZ		PRO REV.	DATE	ALTERATION					AUTH.			
Contract #:	Dwg Description: LIST OF MATERIAL(1)		Linear	>0-3	>3-6	>6-30	>30-120	>120-400	>400-1000	>1000-2000	>2000-4000	>4000-8000	Angle Tolerance
Contract Ref:	Client: RF/Reid & Twiname		Client Code: -	→	±0.15	±0.2	±0.5	±0.8	±1.2	±2	±3	±4	±5
Approved By:	Date:	Client Dwg Ref: RF/Reid & Twiname		Client Rev: 0	Flatness	>0-10	>10-30	>30-100	>100-300	>300-1000	>1000-3000	±1°	
Signature By:	Date:	Product Finish: BODY: Matte/ DOOR: Mirror		→	0.1	0.2	0.4	0.8	1.2	1.6			
				NOTE: All dimensions in mm (unless noted otherwise)				W =27.85 (Kg)	Sheet 2 of 4			3rd Angle Projection	

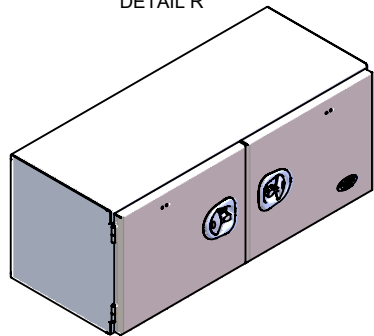
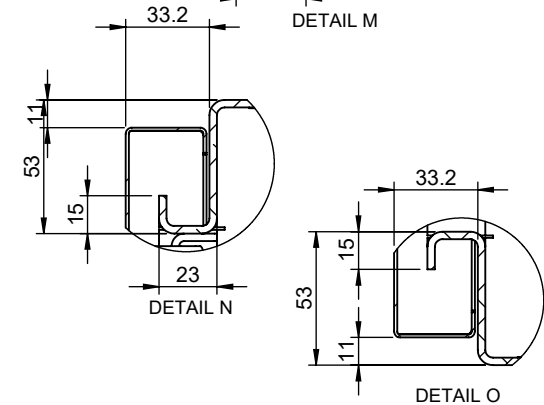
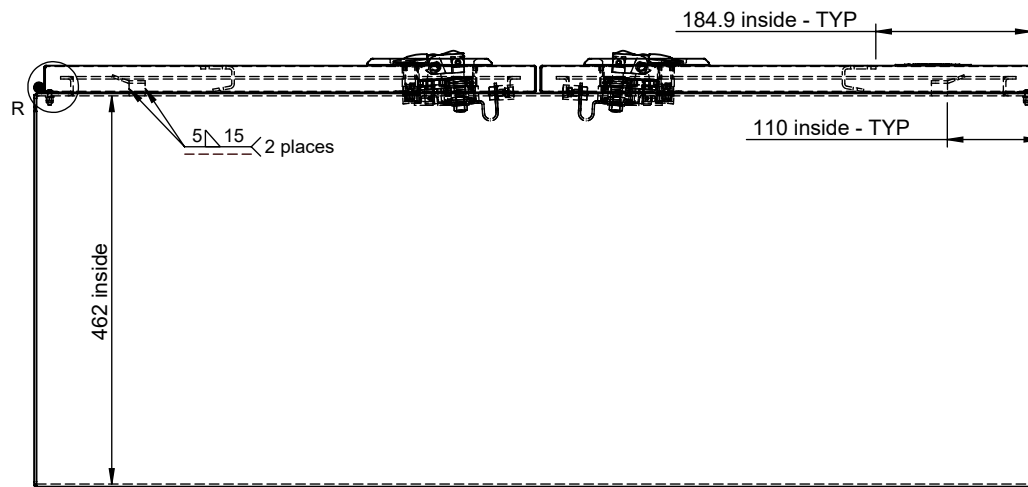
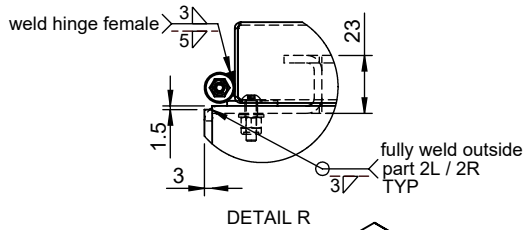


Note:
 - No burrs, sharp edges.
 - Move carefully, avoid collisions, scratches, dents.

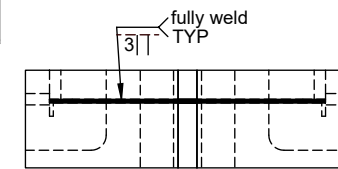
MO:	Batch:	Product Description: Aluminum ToolBox (Heavy Duty) with S-Steel Double Door(L1200xH500xD500)	0	08-09-2023	AS PER INFO EMAIL OF CLIENT					V3224			
Quantity Batch:	Product Code: 001-001-0600NZ		PRO REV.	DATE	ALTERATION					AUTH.			
Contract #:	Dwg Description: LIST OF MATERIAL(2)		Linear	>0-3	>3-6	>6-30	>30-120	>120-400	>400-1000	>1000-2000	>2000-4000	>4000-8000	Angle Tolerance
Contract Ref:	Client: RF/Reid & Twiname		→	±0.15	±0.2	±0.5	±0.8	±1.2	±2	±3	±4	±5	±1°
Approved By:	Date:	Client Dwg Ref: RF/Reid & Twiname	Client Rev: 0	Flatness	>0-10	>10-30	>30-100	>100-300	>300-1000	>1000-3000			
Signature By:	Date:	Product Finish: BODY: Matte/ DOOR: Mirror		→	0.1	0.2	0.4	0.8	1.2	1.6			
			NOTE: All dimensions in mm (unless noted otherwise)			W =27.85 (Kg)		Sheet 3 of 4			3rd Angle Projection		



SECTION L-L



- Note:**
- When soldering wire, seal the assembly gaps.
 - Surface inspection, 100% bavia.
 - 100% weld inspection.
 - Check the position and orientation of the hinge.



DETAIL P

MO:	Batch:	Product Description: Aluminum ToolBox (Heavy Duty) with S-Steel Double Door(L1200xH500xD500)	0	08-09-2023	AS PER INFO EMAIL OF CLIENT					V3224				
Quantity Batch:		Product Code: 001-001-0600NZ												
Contract #:		Dwg Description: DETAIL DRAWING	PRO REV.	DATE	ALTERATION					AUTH.				
Contract Ref:		Client: RF/Reid & Twiname	Client Code: -	Linear	>0-3	>3-6	>6-30	>30-120	>120-400	>400-1000	>1000-2000	>2000-4000	>4000-8000	Angle Tolerance
Approved By:	Date:	Client Dwg Ref: RF/Reid & Twiname	Client Rev: 0	→	±0.15	±0.2	±0.5	±0.8	±1.2	±2	±3	±4	±5	±1°
Signature By:	Date:	Product Finish: BODY: Matte/ DOOR: Mirror		Flatness	>0-10	>10-30	>30-100	>100-300	>300-1000	>1000-3000				
			NOTE: All dimensions in mm (unless noted otherwise)			W =27.85 (Kg)		Sheet 4 of 4			3 rd Angle Projection			