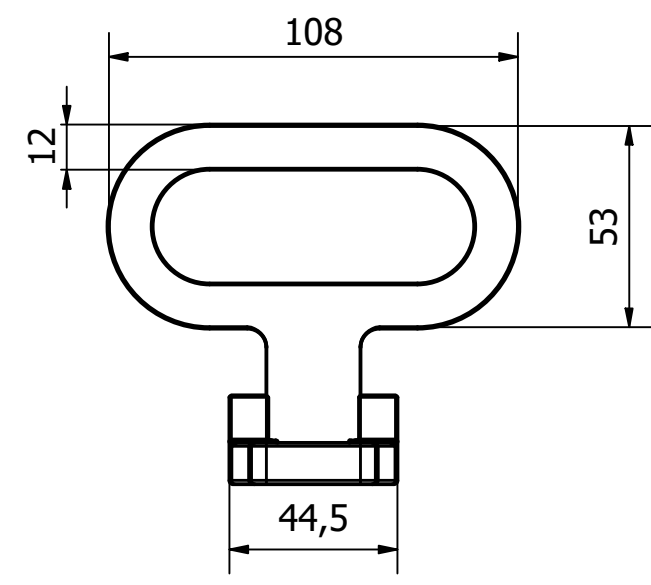
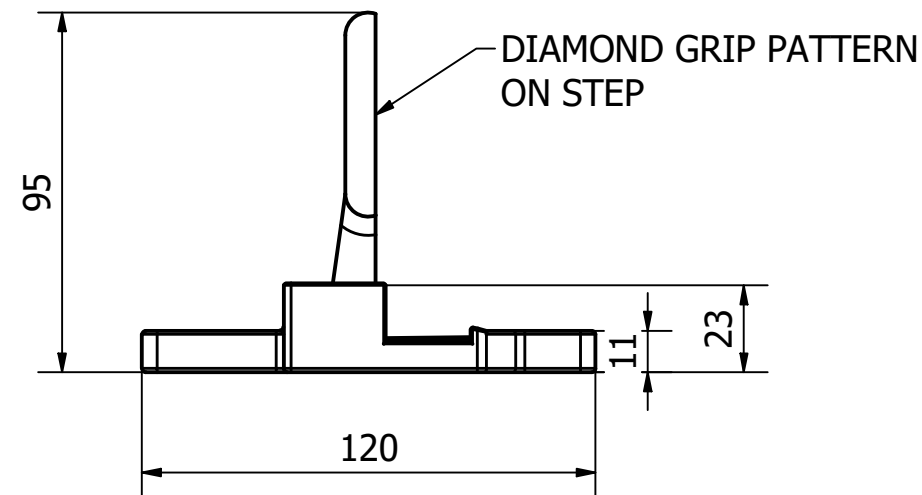
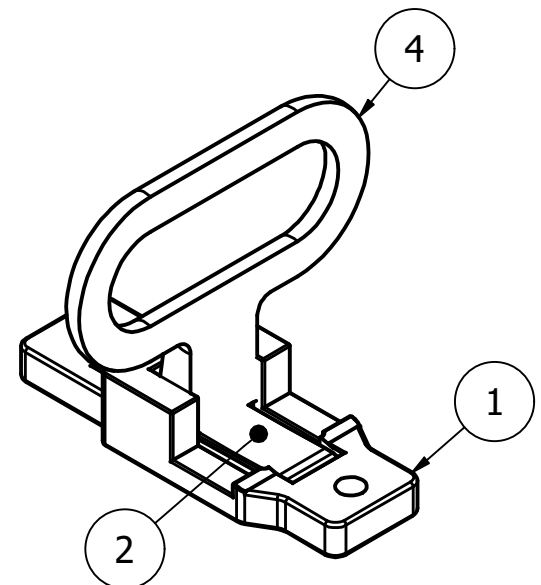


PARTS LIST			
ITEM	QTY	PART NUMBER	DESCRIPTION
1	1	0979-008-1	M/STEEL STEP BODY - BLACK E-COTE
2	1	0979-008-3	S/S SPRING PLATE - CHROME POLISHED
3	1	0979-008-4	M/S RETAINING PIN - BLACK E-COTE
4	1	0979-008-2	M/STEEL STEP HANDLE - BLACK E-COTE



\* BLACK E-COTE FINISH - 20 MICRONS THICK

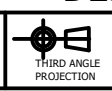
GENERAL TOLERANCES ON LENGTHS
0.5 - 6 ± 0.1mm
6 - 30 ± 0.2mm
30 - 120 ± 0.3mm
120 - 400 ± 0.5mm
400 - 1000 ± 0.8mm
1000 - 2000 ± 1.2mm
2000 - 4000 ± 2.0mm

ALBERT JAGGER LTD  
 GREEN LANE  
 WALSALL PHONE: 01922 471000  
 WEST MIDLANDS FAX: 01922 648021  
 WS2 8HG

THIS DRAWING & THE DESIGN SHOWN ARE THE PROPERTY OF ALBERT JAGGER LTD AND MUST NOT BE USED OR COPIED BY A THIRD PARTY WITHOUT PERMISSION

DRAWN BY  
K.M

CHECKED BY  
A.P



SCALE  
1 : 2

MATERIAL  
SEE TABLE

MASS  
0.557 kg

FINISH  
SEE NOTE

Date  
27/02/2020

ALL DIMS IN MM UNLESS STATED DO NOT SCALE

A3



M/STEEL FOLDING STEP	
0979-008	
Edition 1	Sheet 1 / 1