

# Arizona Drivers Seat STGMSG903G



MADE IN  
GERMANY

Angle and height adjustable headrest (headrest not fitted as standard)

Backrest adjustment in small steps

Lumbar support infinitely adjustable in height and depth

Swivel mechanism (optional not fitted as standard)

Infinite height adjustment over a range of 100 mm

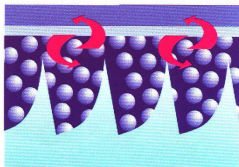
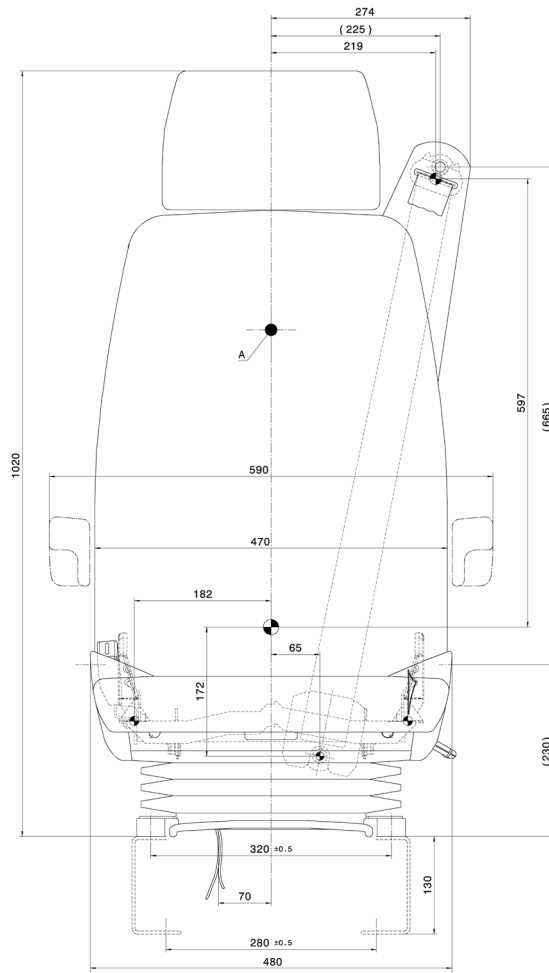
Shock absorber adjustable from hard to soft for vertical suspension

Seat angle adjustable from 2° to 12°

210 mm length adjustment in steps of 10 mm

Seat depth: adjustable over a range of 60 mm in 5 steps





The Natural Grammer Climate-Control Systems with activated charcoal between the covering and the cushion. Tiny micropores provide optimum exchange of humidity. Both the seating comfort and the well-being of the operator are significantly improved.

## BASIC FEATURES

Backrest Adjustment

Fore/Aft Adjustment

Seat Depth Adjustment

Seat Inclination Adjustment

Grammer Climate-Control

PCS (Pneumatic Control System)