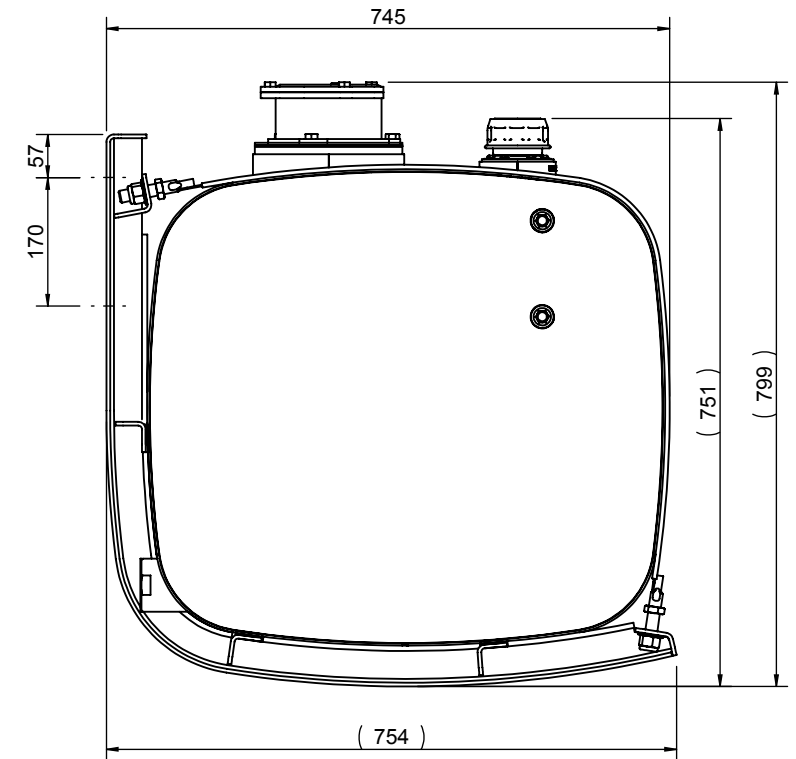
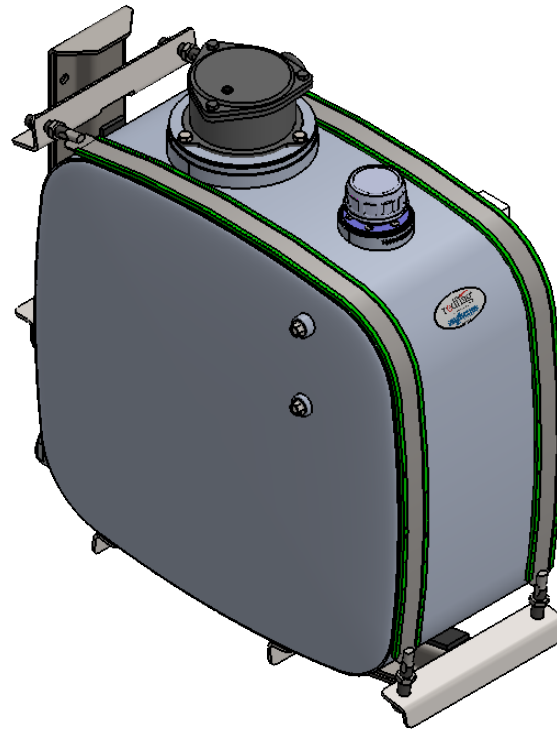
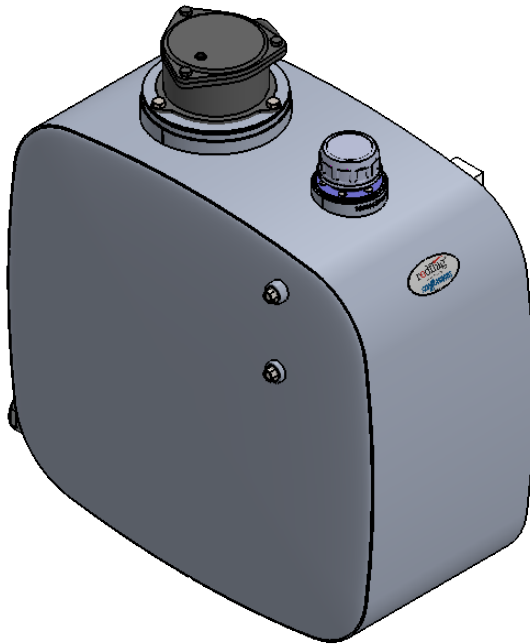


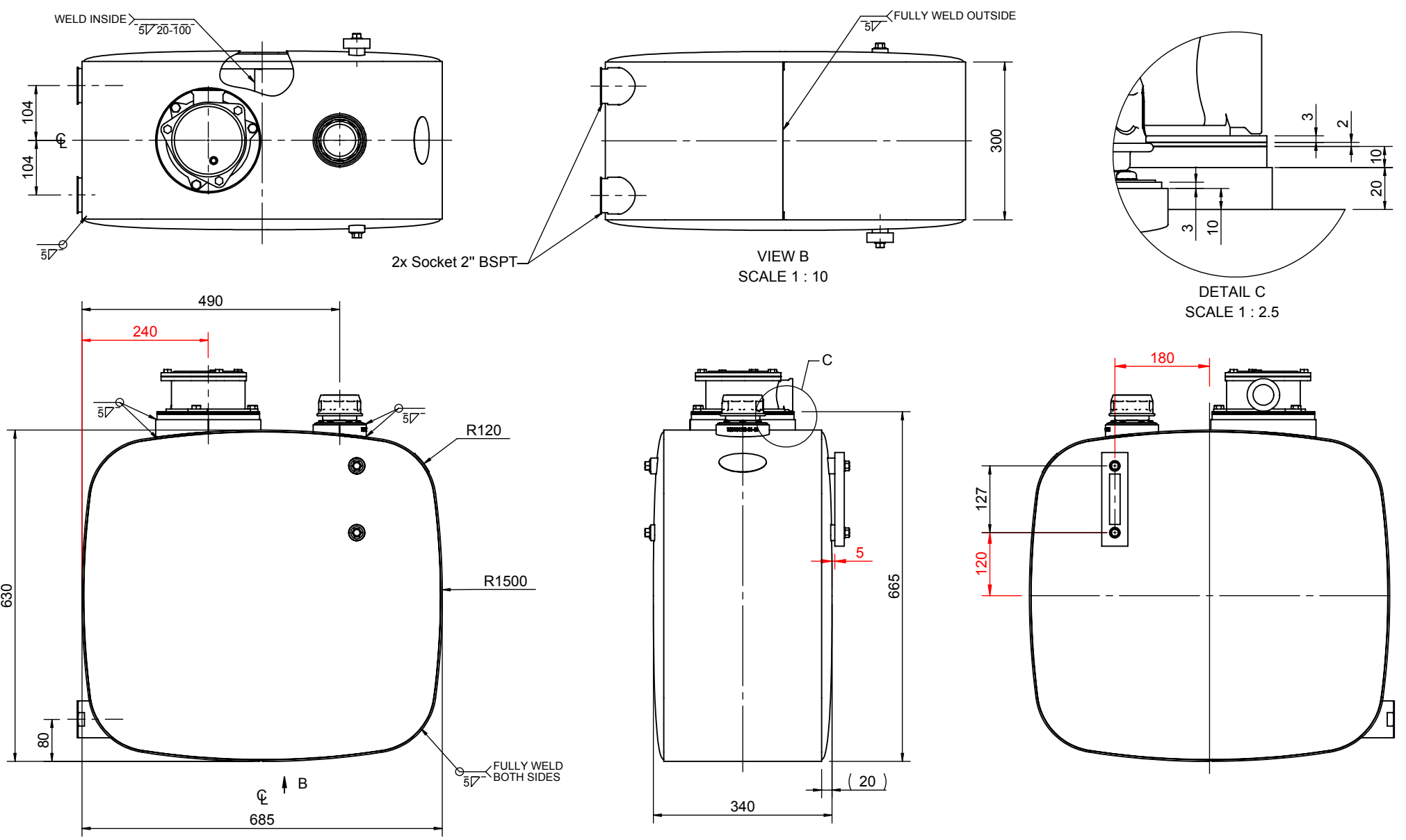
REVISIONS

PRO REV	DATE	ALTERATION	AUTH
0	24-01-2019	AS PER CLIENT'S DRAWING	V1422



MO:	Batch:	Product Description: Reid&Twiname Square Oval Hidraulic Oil Tank - 125L	
Quantity Batch:		Product Code: 001-002-0500NZ	
Contract #:		Dwg Description: REVISION TABLE	
Contract Ref:		Client: RED FLAG/REID & TWINAME	Client Code: -
Approved By:	Date:	Client Dwg Ref: -	Client Rev: 0
Signature By:	Date:	Product Finish: Polished	

0	24-01-2019	AS PER CLIENT'S DRAWING							V1422
PRO REV.	DATE	ALTERATION							AUTH.
Selection	>0-6	>6-30	>30-120	>120-400	>400-1000	>1000-2000	>2000-4000	>4000-8000	Angle Tolerance
	±0.05	±0.05	±0.1	±0.15	±0.2	±0.3	±0.5	±0.8	±1.5°
➔	±0.2	±0.5	±0.5	±1	±1	±1	±1.5	±3	
	±0.15	±0.2	±0.5	±0.8	±1.2	±2	±3	±4	
NOTE: All dimensions in mm (unless noted otherwise)					W = (Kg)		Sheet 1 of 4		3rd Angle Projection



2x Socket 2" BSPT

VIEW B
SCALE 1 : 10

DETAIL C
SCALE 1 : 2.5

Φ ↑ B
685

5/7 FULLY WELD BOTH SIDES

(20)

MO:	Batch:	Product Description: Reid&Twiname Square Oval Hidraulic Oil Tank - 125L	0	24-01-2019	AS PER CLIENT'S DRAWING					V1422			
Quantity Batch:		Product Code: 001-002-0500NZ	PRO REV.	DATE	ALTERATION					AUTH.			
Contract #:		Dwg Description: DETAIL DRAWING	Selection	0.5-3	>3-6	>6-30	>30-120	>120-400	>400-1000	>1000-2000	>2000-4000	>4000-8000	Angle Tolerance
Contract Ref:		Client: RED FLAG/REID & TWINAME		±0.05	±0.05	±0.1	±0.15	±0.2	±0.3	±0.5	±0.8	-	±1°
Approved By:	Date:	Client Dwg Ref: -		±0.1	±0.1	±0.2	±0.3	±0.5	±0.8	±1.2	±2	±3	
Signature By:	Date:	Product Finish: Polished	➔	±0.15	±0.2	±0.5	±0.8	±1.2	±2	±3	±4	±5	
			NOTE: All dimensions in mm (unless noted otherwise)					W = 15.04 (Kg)	Sheet 3 of 4		3rd Angle Projection		