



**STAY HEALTHY AND
YOU'LL MOVE MOUNTAINS.**

MAXIMO[®]

*High-Comfort Seats for
Forklifts and Construction Machines.*



GRAMMER

New Zealand Sole Distributor | www.retwine.co.nz

REID & TWINAME

IMPORTERS & DISTRIBUTORS



SITTING CAN BE HARD WORK.



Low Frequencies for the Ultimate in Comfortable Suspension.

The Maximo® XXL's low-frequency suspension is specially designed to absorb the vibrations typical of large forklifts and wheeled loaders. The seat's low natural frequencies significantly soften vertical oscillations and jolts, preventing the buildup of violent rocking. This not only makes for outstanding comfort, but also lets you stay relaxed and alert while working. There is noticeably less strain on your back, benefiting your health and fitness in the long run.



When it Comes to Your Health, Comfort Is Key.

All our Maximo® models offer comfort while contributing to your health and well-being. The ergonomically designed, tapered backrest lets you move freely in virtually all work situations. And the wide seat cushions and armrests optimally support you without restricting your legs. You can customize the Maximo® for the ultimate in personal comfort, thanks to its numerous features for adjusting armrest height, seat cushion angle, seat cushion depth and lumbar support. Plus, the Maximo® XXL boasts an activated carbon layer beneath the seat cover to absorb perspiration and keep you cool and comfortable.

A Pleasure to Use.

Maximo® seats are simple to use. The controls are optimally placed right where you expect them to be, and are shaped so you'll intuitively move them in the right direction. You'll quickly and easily achieve the best sitting position for your body and the requirements of your job.





Adjustable Backrest Height

Every back is different. The Maximo's® integrated backrest extension provides customized comfort. By molding itself exactly to your body height, it prevents damage from bad posture, and keeps you feeling relaxed, even during long stretches behind the wheel. It can be adjusted in 13 steps between 475 and 645 mm. The backrest extension can be fully retracted if required.



Climate System

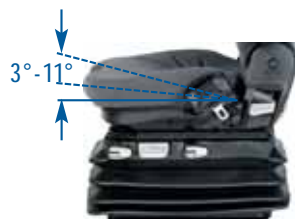
The perfect working climate is built in as a standard feature. This clever climate system really comes into its own during long stretches behind the wheel. Perspiration passes through the seat lining and is stored in an activated carbon layer underneath. When you leave the seat, the moisture is released into the air. You stay pleasantly cool and dry, are less likely to catch a chill, and perform better.

MAXIMO® XXL. MANY OUTSTANDING DETAILS ADD UP TO



Variable Seat Cushion Depth

With 5 steps to ensure adequate support for your thighs.



210 mm Fore/Aft Adjustment

For easy seat positioning in your vehicle.

Flexible Seat Cushion Angle

With 4 adjustment steps to reduce pressure on the backs of your knees.

Fore/Aft Isolator

Minimizes vibrations caused by vehicle pitching.



Low-Frequency Suspension

For extremely comfortable sitting. Pneumatic low-frequency suspension with compressor: an innovative solution that absorbs jolts and vibrations more effectively, giving you a relaxed, stress-free ride, also at high speeds. Increased comfort, plus increased protection for your spine.



Seat Heating (optional)
A welcome addition for cold days –
so you stay warm and well.

Foldable Armrests (optional)
Adjustable height and angle.

COMFORTABLE SITTING.



The model shown may differ from the standard configuration.



Document Box (optional)

Tapered Backrest

For greater freedom of movement.

Pneumatic Lumbar Support

Back care at the touch of a button. The pneumatic lumbar support molds itself to your body, quickly and exactly – making you feel more comfortable, while preventing damage to your spinal disks by optimally supporting your lower back.



Adjustable Backrest Angle

Restraint System

The dual-sensitive seatbelt provides maximum freedom of movement, yet ensures you are safely restrained in your seat, even if your vehicle should crash or tip over.

Adjustable Shock Absorber

Can be adjusted to provide soft or hard shock absorption, to suit different job conditions.

80 mm Height Adjustment

The ideal sitting position, whatever your height.

APS

Automatic Positioning System.

100 mm Suspension Stroke

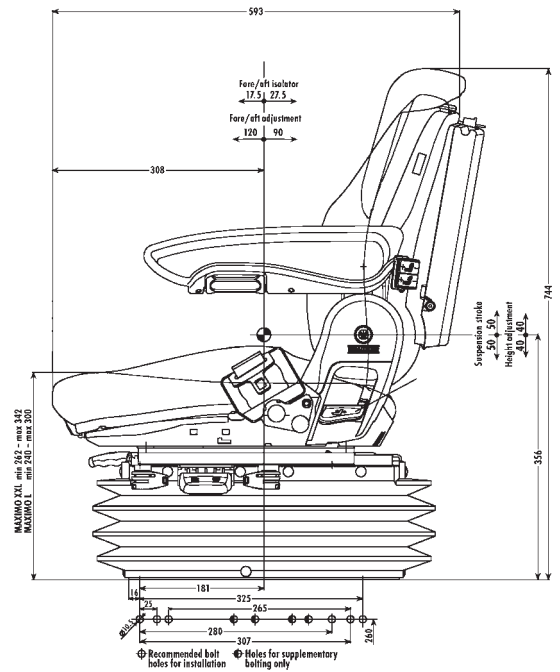
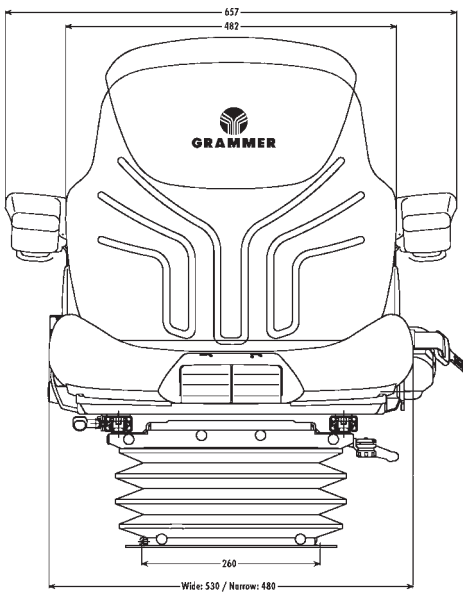
Absorbs even the hardest jolts.

All controls are located in easy-to-reach places and designed so you'll intuitively move them in the right direction.



MAXIMO® XXL

Niederfrequenzfederung
Low Frequency Suspension

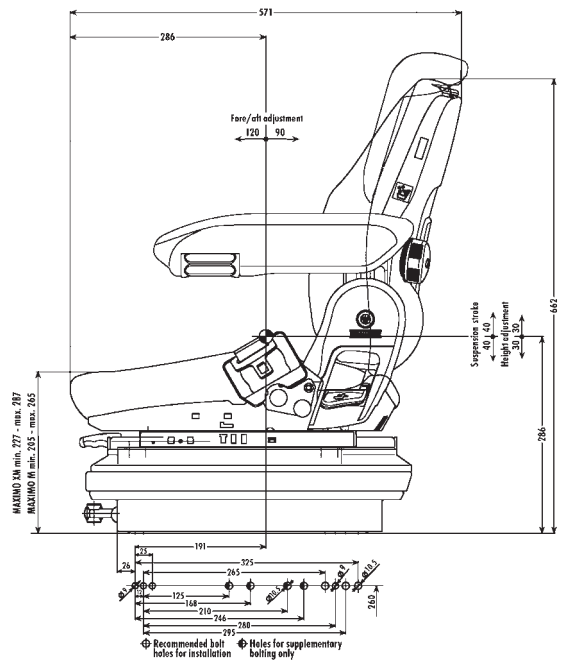
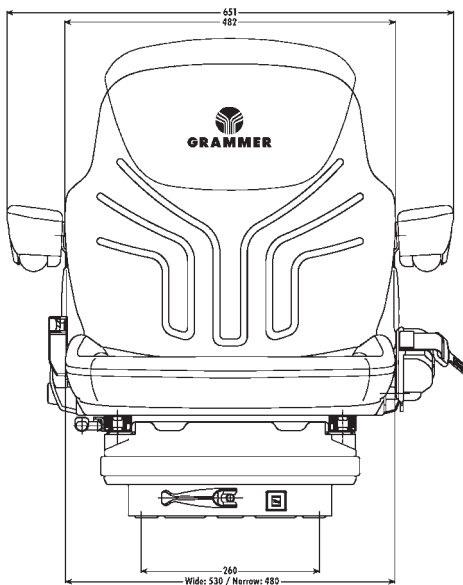


Pneumatic

CUSTOMIZED SEATING COMFORT

Mechanical

MAXIMO® M



FRONT VIEW

SIDE VIEW





Maximo® XXL

Maximo® XM

Maximo® M

Maximo® L

MAXIMO®

The models shown may differ from the standard configuration.

Our Maximo® Seats Have a Lot in Common

Flexibility is key in our Maximo® range. But every seat has the same outstanding basic features: 210 mm fore/aft adjustment, adjustable backrest angle, lumbar support, restraint system and an operator presence switch. Seat heating is optionally available for all models.

Consult the table to see the options for each model.

FEATURES	Maximo® XXL	Maximo® L	Maximo® XM	Maximo® XM	Maximo® M	Maximo® M
Article no.	1204242	1205264	1012111	1012113	1012107	1012109
APS (Automatic Positioning System)	●	●				
Cover material						
Fabric	●	●	●		●	
Imitation leather, black				●		●
Shock absorber adjustable	●					
Non adjustable		●	●	●	●	●
Suspension						
Mechanical suspension			●	●	●	●
Air suspension with 12V compressor	●	●				
Air suspension with 24V compressor	○	○				
Low-frequency suspension	●					
Suspension stroke						
80 mm			●	●	●	●
100 mm	●	●				
Height adjustment						
80 mm stepless (pneumatic)	●					
60 mm stepless (pneumatic)		●				
60 mm 3-step (mechanical)			●	●	●	●
Climate system , passive	●					
Fore/aft adjustment 210 mm	●	●	●	●	●	●
Fore/aft isolator	●	●				
Lumbar support						
Pneumatic	●					
Mechanical		●	●	●	●	●
Cushions						
Narrow (480 mm)		●			●	●
Wide (530 mm)	●		●	●		
Adjustable backrest angle	●	●	●	●	●	●
Backrest extension , integrated						
Fabric	●	○	○		○	
Imitation leather				○		○
Restraint system	●	●	●	●	●	●
OPS (Operator presence switch)	●	●	●	●	●	●
Adjustable seat cushion depth and angle	●		●	●		
OPTIONAL FEATURES						
Document box	○	○	○	○	○	○
Armrests height adjustable, foldable	○	○	○	○	○	○
65 mm x 270 mm	○	○	○	○	○	○
80 mm x 380 mm, adjustable angle	○	○	○	○	○	○
Seat heating	○	○	○	○	○	○

● Standard features

○ Optional features

**GRAMMER offers state-of-the-art
products for all mobile work-places
– from tractors, construction
machines and forklift trucks all
the way to trucks, buses and trains.
Ergonomically designed, they set
new standards of sitting comfort
and operating convenience. Just ask
us – we'll be happy to inform you.**

