

Specification Sheet for Surface Mount Clock/Stop Sign

Stock Code LPCLST

FEATURES

- Microprocessor controlled
- Surface mounting and uniform shape
- Extra bright, red Alfa-numeric LED display
- Time accuracy is ± 1 second/day, independent of battery voltage
- Keeps the real time with internal back up battery
- CE and 2009/19/EC complied
- Automatic dimming display at dark environment (at night)
- Wide operating temperature & humidity range and vibration resistant
- Protected against wrong connection and reverse polarity



APPLICATIONS

- All type of vehicles (buses, trucks, trains, yachts, caravans)

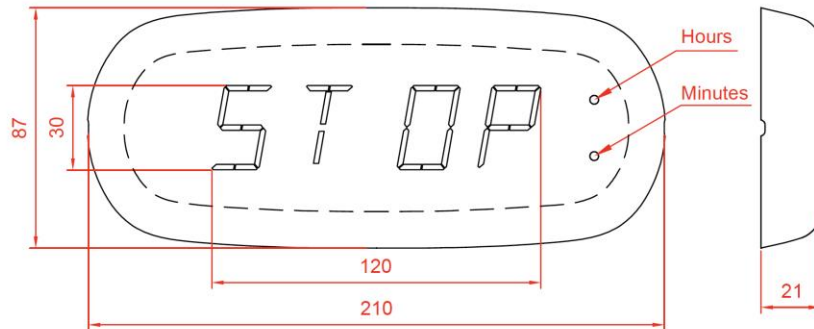
Nominal supply voltage	24 VDC (DBC-601) / 12 VDC (DBC-611)
Operating voltage range	18 . . . 32 VDC / 9 . . . 16 VDC
Supply current @ 28VDC	100 mA max.
Display	1.2" (30.5 mm) Alfa-numeric red LED
Clock	RTC (Real Time Clock) with internal back-up battery
Time accuracy	± 1 sec/day @ 25 °C
Temperature measuring range	-40 °C . . . +99 °C
Temperature sensor accuracy	± 2 °C (Digital)
Operating temperature range	-40 °C . . . +80 °C
Time suffixes	None : 24 hours, M: 12 hours
Temperature Sensor suffix	T: with temperature sensor (98-DBC601.PROB)

- **Environmental Conditions**
Relative humidity : 95 %
- **Dimensions**
Length : 210 mm
Height : 87 mm
Width : 21.5 mm
- **Weight** : 250 gram

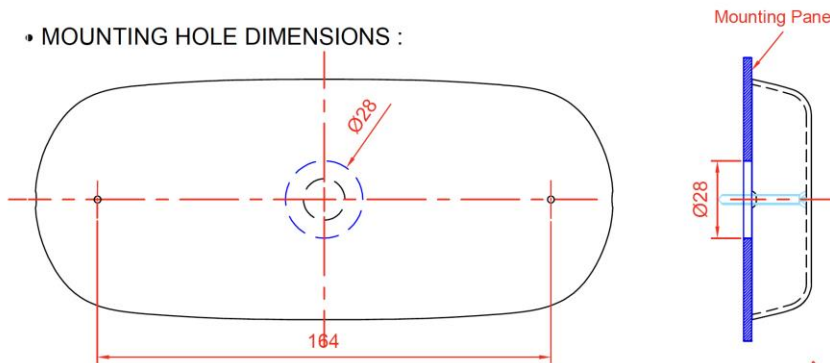
Specifications are subject to change without notice



• DIMENSIONS :



• MOUNTING HOLE DIMENSIONS :



• CONNECTIONS :

