

1	VALIDATION COMPLETE	06/02/23	A.P
B	CREATED A SHEET 2	06/02/23	S.R
REV	DESCRIPTION	DATE	APPROVED

NOTE:
SEE SHEET TWO FOR GASKET DRAWING.

GENERAL TOLERANCES ON LENGTHS

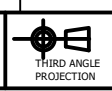
0.5 - 6 ± 0.1mm
6 - 30 ± 0.2mm
30 - 120 ± 0.3mm
120 - 400 ± 0.5mm
400 - 1000 ± 0.8mm
1000 - 2000 ± 1.2mm
2000 - 4000 ± 2.0mm

ALBERT JAGGER LTD
GREEN LANE
WALSALL PHONE: 01922 471000
WEST MIDLANDS FAX: 01922 648021
WS2 8HG

THIS DRAWING & THE DESIGN SHOWN ARE THE PROPERTY OF ALBERT JAGGER LTD AND MUST NOT BE USED OR COPIED BY A THIRD PARTY WITHOUT PERMISSION

DRAWN BY
S.R

CHECKED BY
A.P



SCALE
1 : 1.5

MATERIAL
M/STEEL

MASS
0.078 kg

FINISH
ZINC PASSIVATE

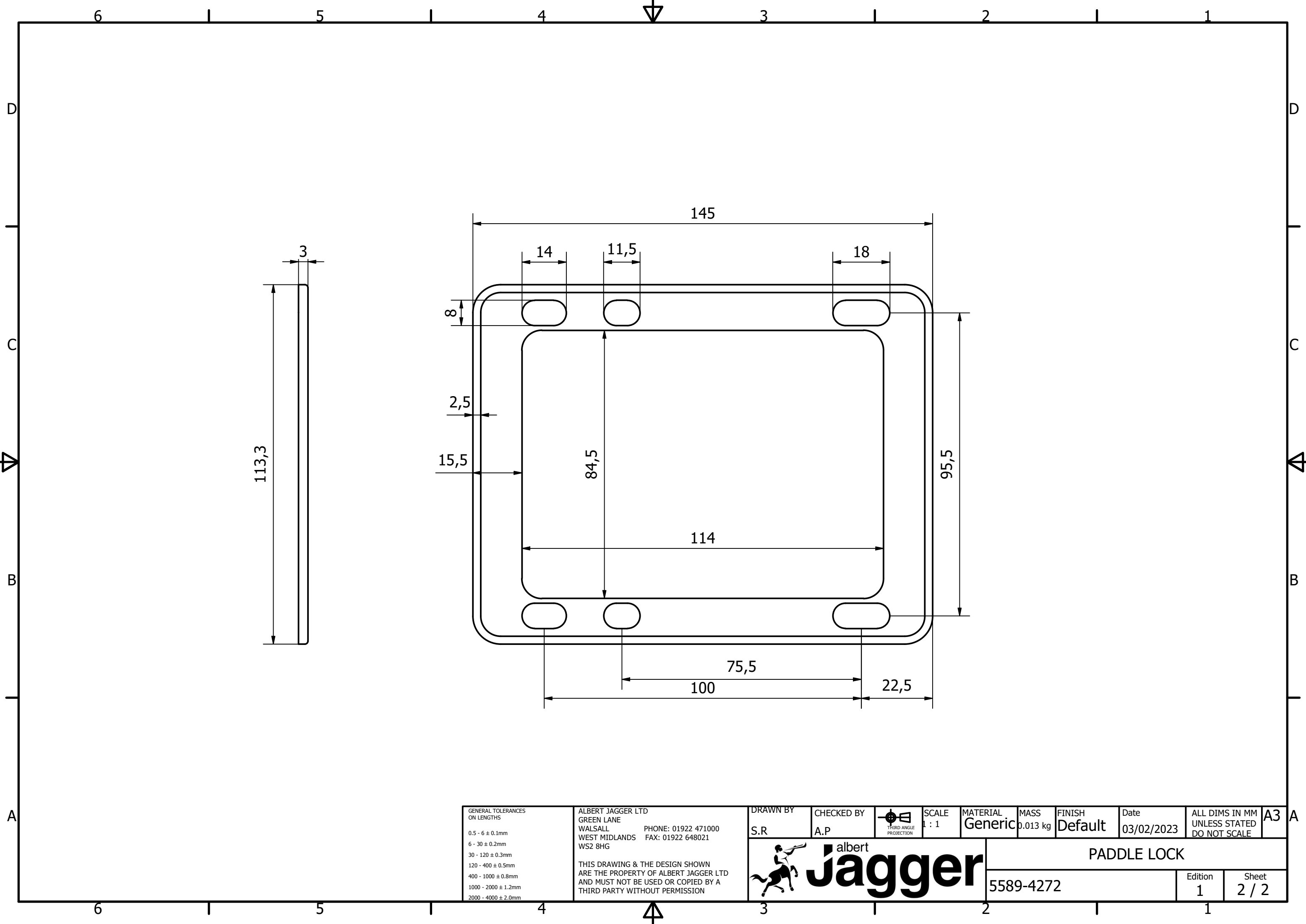
Date
03/02/2023

ALL DIMS IN MM UNLESS STATED DO NOT SCALE

A3



PADDLE LOCK		Edition 1	Sheet 1 / 2
5589-4272			



GENERAL TOLERANCES ON LENGTHS	
0.5 - 6 ± 0.1mm	
6 - 30 ± 0.2mm	
30 - 120 ± 0.3mm	
120 - 400 ± 0.5mm	
400 - 1000 ± 0.8mm	
1000 - 2000 ± 1.2mm	
2000 - 4000 ± 2.0mm	

ALBERT JAGGER LTD
 GREEN LANE
 WALSALL PHONE: 01922 471000
 WEST MIDLANDS FAX: 01922 648021
 WS2 8HG

THIS DRAWING & THE DESIGN SHOWN
 ARE THE PROPERTY OF ALBERT JAGGER LTD
 AND MUST NOT BE USED OR COPIED BY A
 THIRD PARTY WITHOUT PERMISSION

DRAWN BY
S.R

CHECKED BY
A.P



SCALE
1 : 1

MATERIAL
Generic

MASS
0.013 kg

FINISH
Default

Date
03/02/2023

ALL DIMS IN MM
UNLESS STATED
DO NOT SCALE

A3



PADDLE LOCK

5589-4272

Edition
1

Sheet
2 / 2