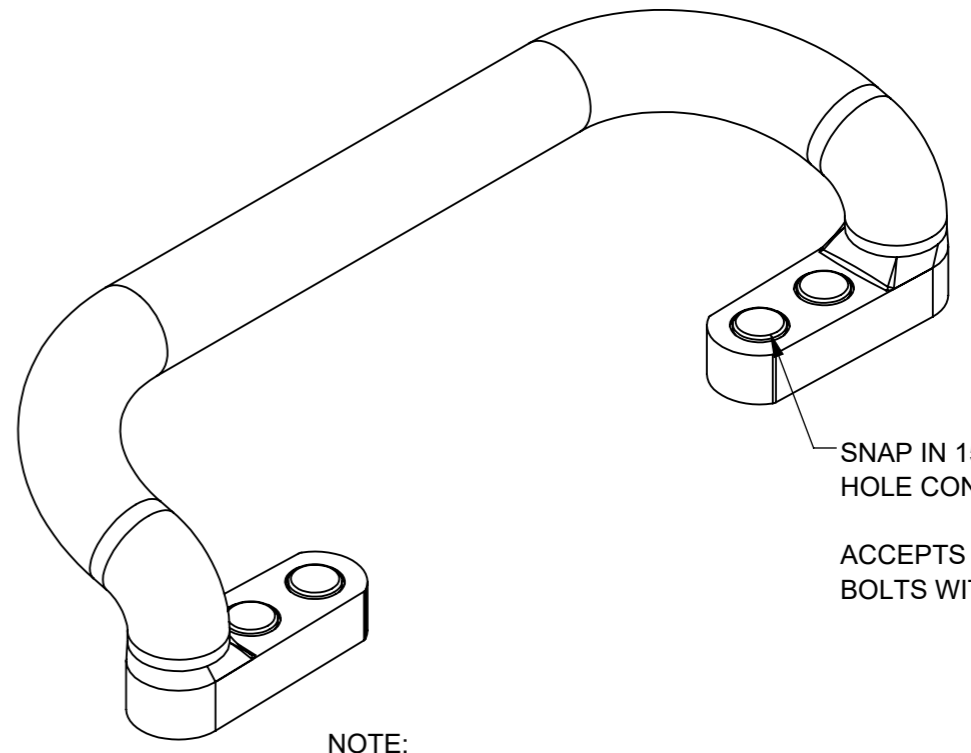
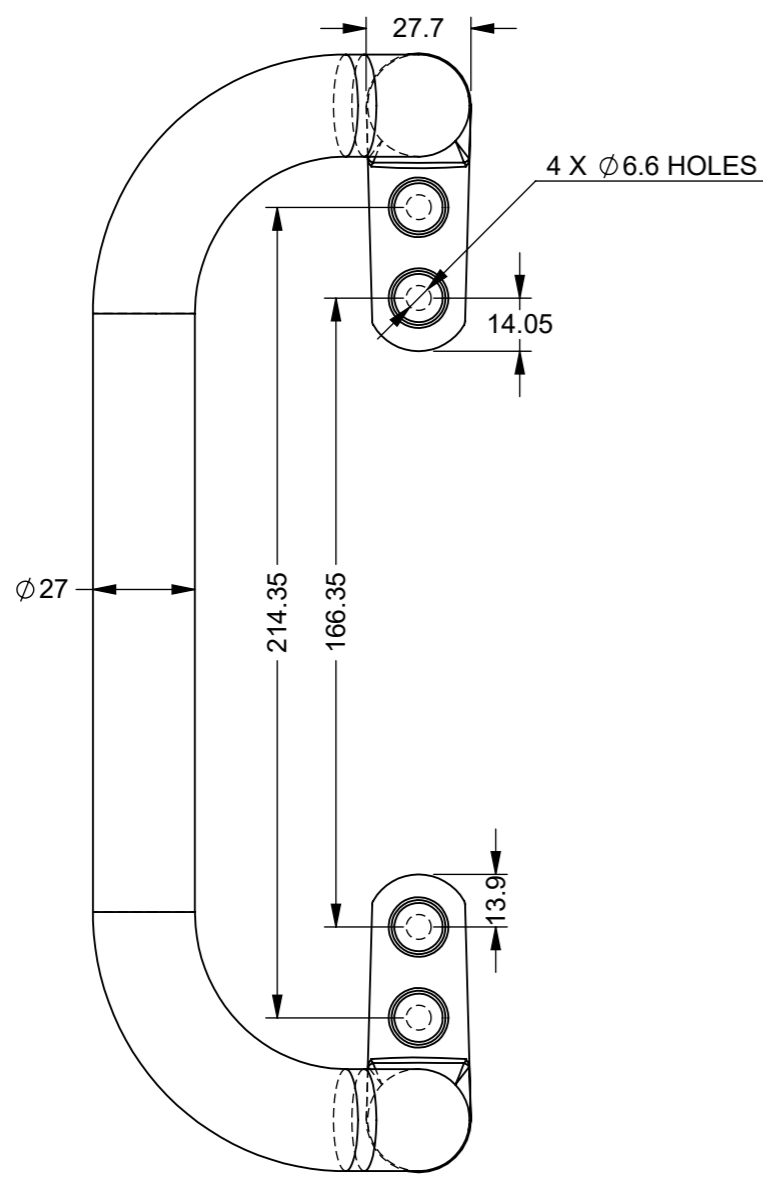
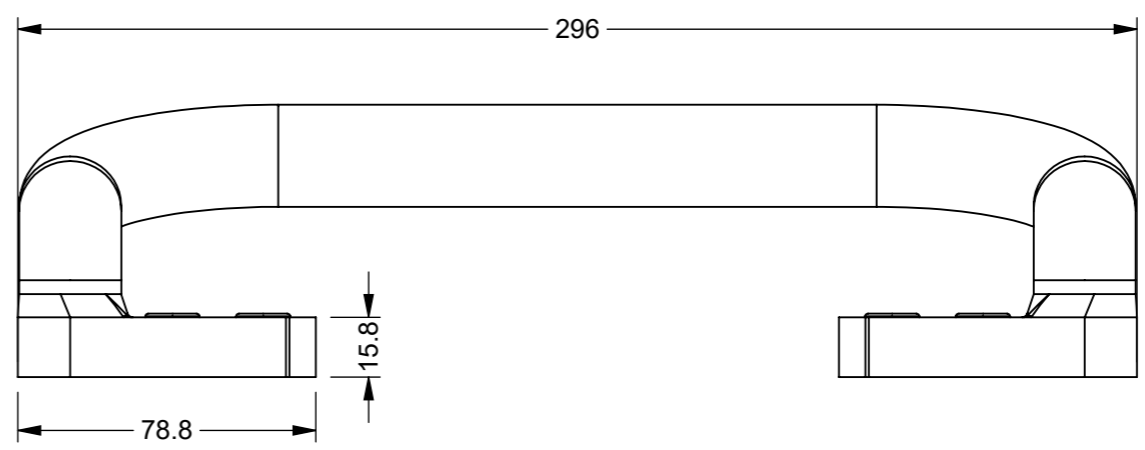
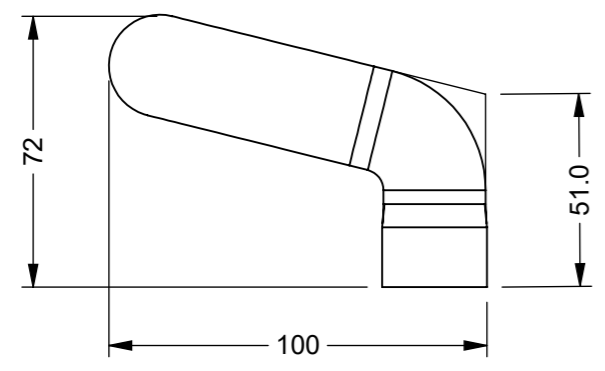


IF IN DOUBT ASK



NOTE:
TPE ON A 10MM STEEL CORE ,
SEMI GLOSS YELLOW FINISH



ZONE	REV.	DESCRIPTION	DATE	APPROVED
	1	VALIDATION COMPLETE	23/10/2023	S.R

UNLESS OTHERWISE STATED, ALL DIMENSIONS IN mm

TOLERANCES	SURFACE FINISH
0.5 - 6 = ±0.1mm	1.6µm Ra
6 - 30 = ±0.2 mm	FILLET RADII 0.5 TO 1.0
30 - 120 = ±0.3 mm	SQUARENESS 0.05 IN 25
120 - 400 = ±0.5 mm	PARALLELISM 0.05 IN 25
400 - 1000 = ±0.8 mm	RUNOUT 0.1
1000 - 2000 = ±1.2 mm	ANGLES ±0.5°
2000 - 4000 = ±2.0 mm	

MATERIAL: SEE NOTE	DRAWN BY: SR	DESCRIPTION: PULL HANDLE - SEMI GLOSS YELLOW 296 O/A			A3
MASS: 2.34 KG	CHECKED BY: AP	NUMBER: 0080-202	REVISION: 1	SHEET: 1 of 1	
FINISH: SEE NOTE	APPROVED BY: AP	SCALE : PROPORTIONAL - DO NOT SCALE REF SCALE 1:5 WHEN PRINTED ON A3			
ORIGINATION DATE: 23/10/2023		PROJECTION 3rd ANGLE			

PROPRIETARY RIGHTS ARE INCLUDED IN THE INFORMATION DISCLOSED HEREIN. NEITHER THIS DOCUMENT NOR ANY INFORMATION DISCLOSED SHALL BE REPRODUCED, USED, TRANSFERRED TO OTHER DOCUMENTS, OR DISCLOSED TO OTHERS FOR ANY PURPOSE INCLUDING MANUFACTURING UNLESS SPECIFICALLY AUTHORISED IN WRITING
REMOVE ALL SHARP EDGES AND BURRS
PART FINISHING AND MARKING TO CESF001

