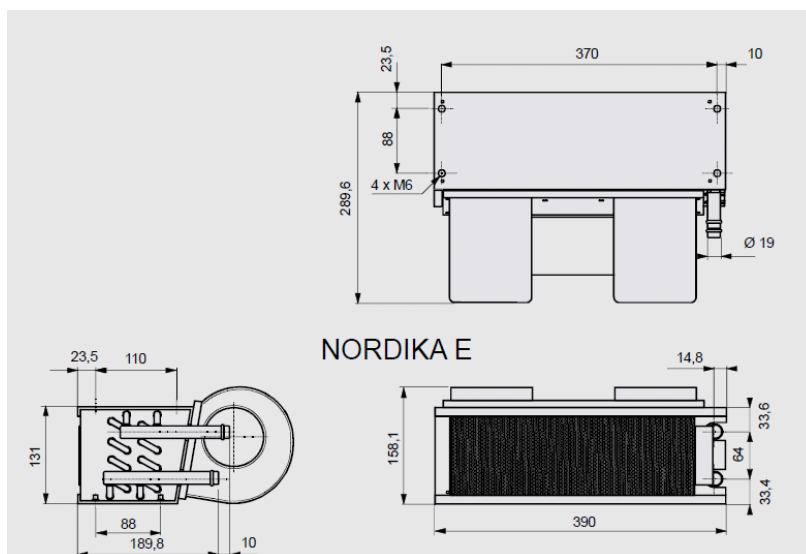




Nordika Heater - HEKNORD

When you want to clear the windscreen in a hurry and warm the feet you can't go past this unit. A high output while very compact 14.8kW heat exchanger heater with three speed fan and a huge 830m³/h air flow. Because of the 19mm pipe diameter there is good water flow reducing heat drop off common with smaller pipe diameter units. 24V.

- Water heat-exchanger
- Aluminium box
- 3 speeds ventilator
- Small volume



MADE IN



FRANCE