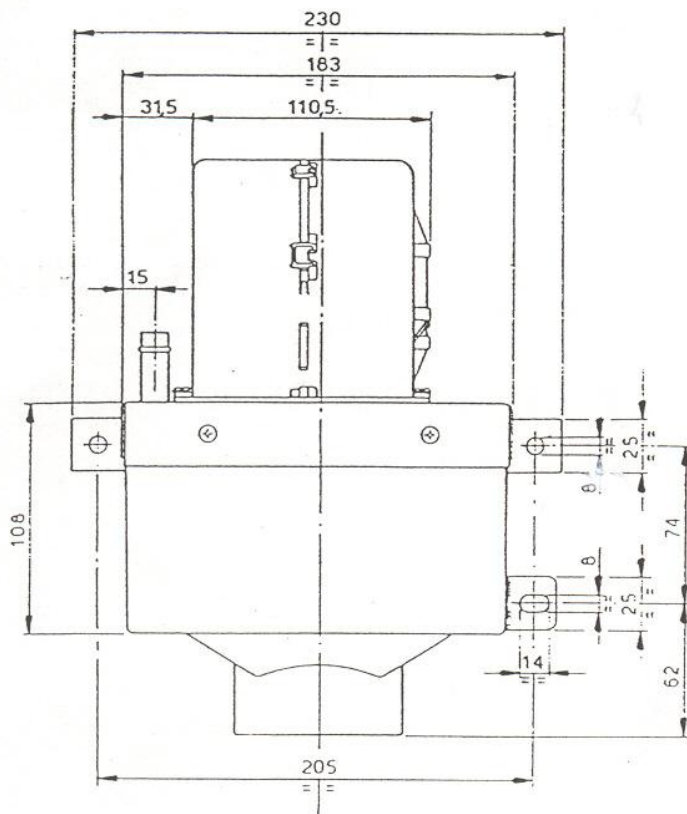
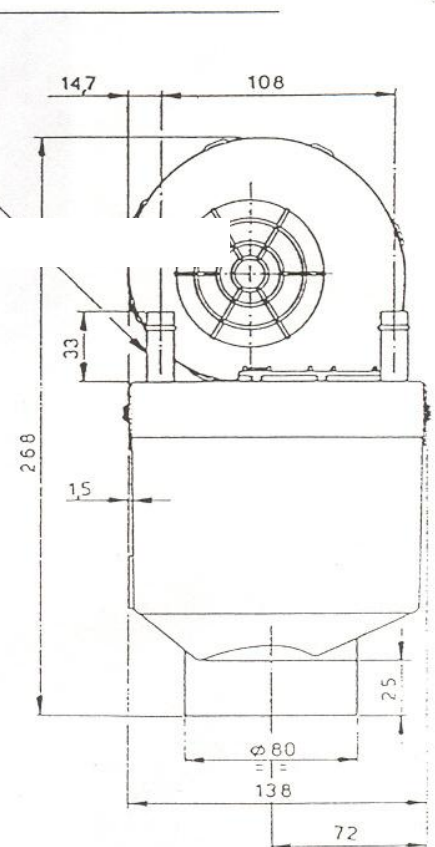


Specification Sheet for Spal Underseat Heater 24V

Stock Code HE9006



PIPE 12ml



Application	Underseat
Motor	2-Speed Thermal Overload Protection 24 VOLTS - 60W Max
Life	4,000 Hours
Radiator	Tubular Aluminium

Output	3.400 KCAL/H
Airflow	170 M3/H
Water Flow	7.5 L /MIN
Dimensions	183 x 138 x 268
Weight	2.9 Kg