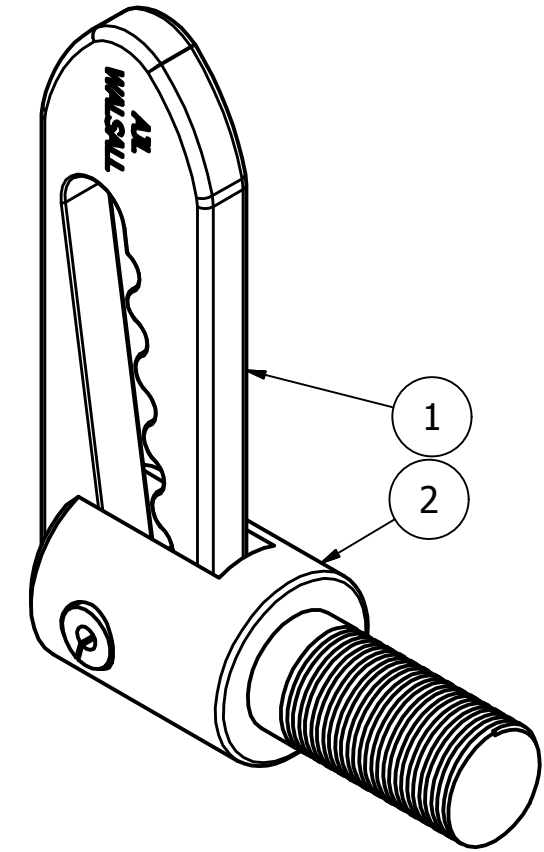
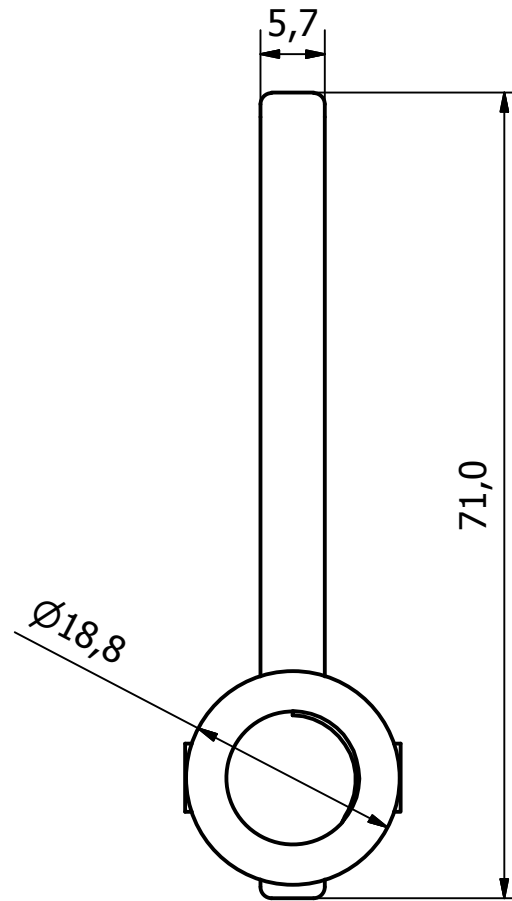
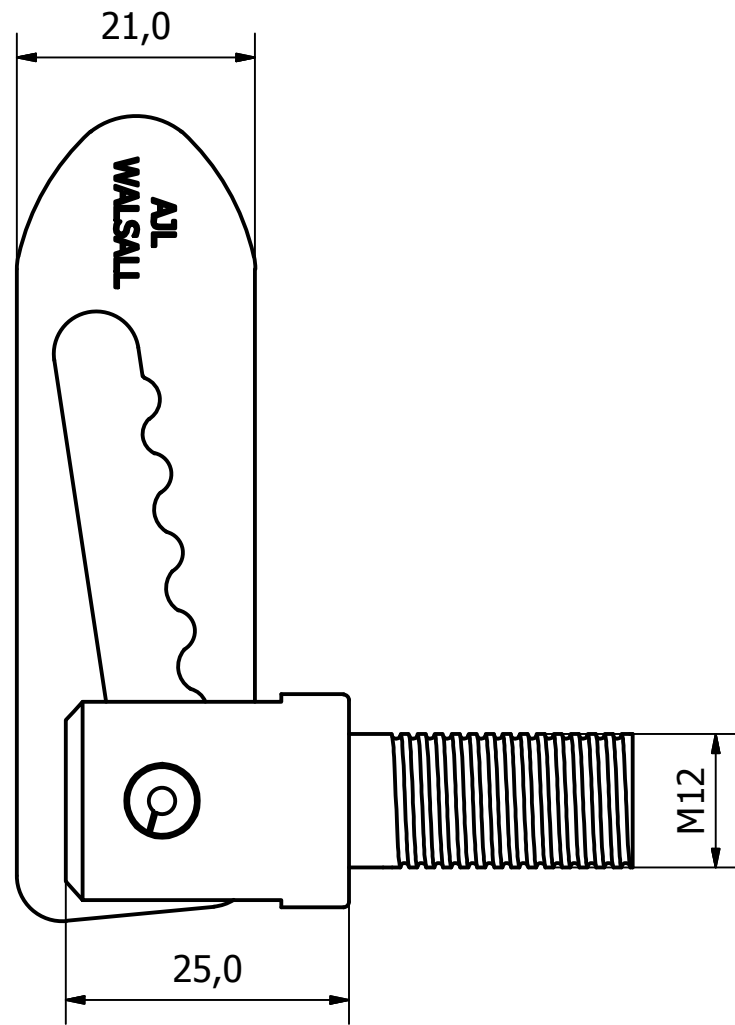
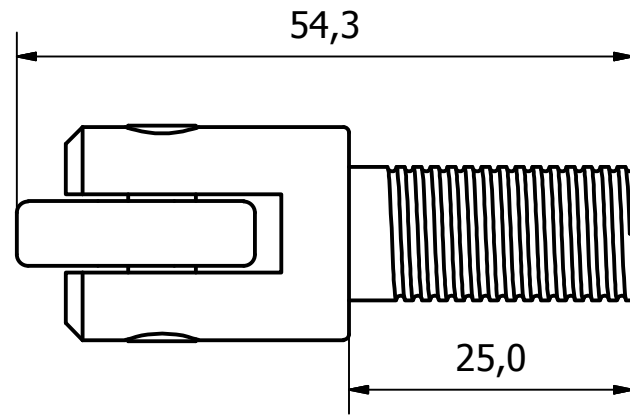


PARTS LIST			
ITEM	QTY	PART NUMBER	DESCRIPTION
1	1	3263-001-1	M/STEEL ANTILUCE COTTER
2	1	3263-001-2	M/STEEL ANTILUCE BARREL - M12 THREAD



GENERAL TOLERANCES ON LENGTHS	
0.5 - 6 ± 0.1mm	
6 - 30 ± 0.2mm	
30 - 120 ± 0.3mm	
120 - 400 ± 0.5mm	
400 - 1000 ± 0.8mm	
1000 - 1200 ± 1.2mm	
2000 - 4000 ± 2.0mm	

1	VALIDATION COMPLETE	15/06/17	A.P
REV	DESCRIPTION	DATE	APPROVED
U.F	A.P	11/04/2017	A3
DRAWN BY		SCALE	MATERIAL
CHECKED BY		1.5 : 1	-
THIRD ANGLE PROJECTION		MASS	FINISH
		0.102 kg	Z/C PASSIVATE
		Date	ALL DIMS IN MM UNLESS STATED DO NOT SCALE
		11/04/2017	
M/STEEL ANTILUCE FASTENER - M12			
3263-001			Edition
			1
			Sheet
			1 / 1