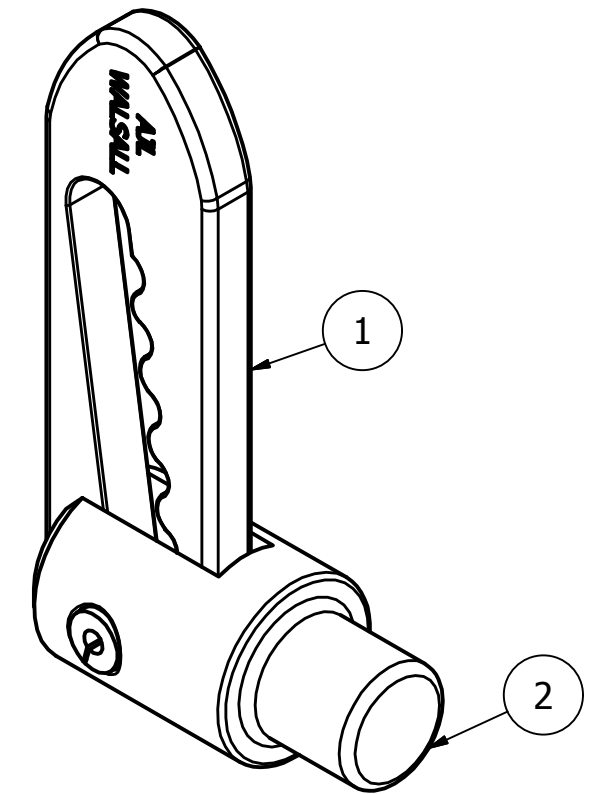
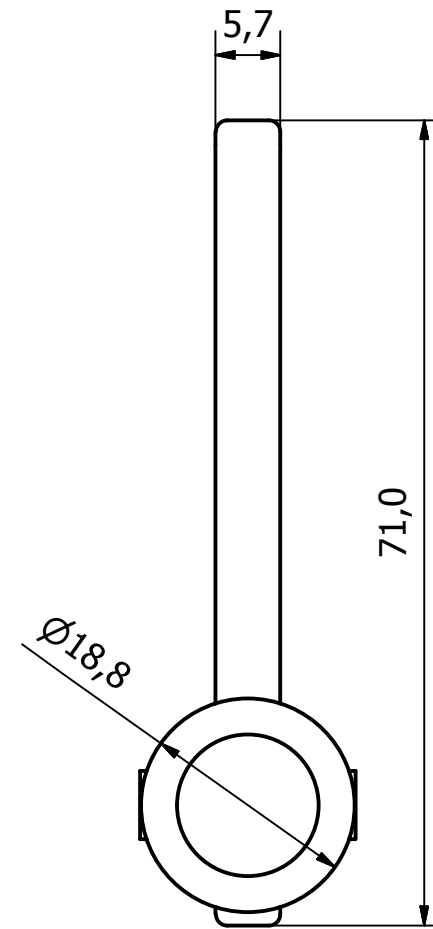
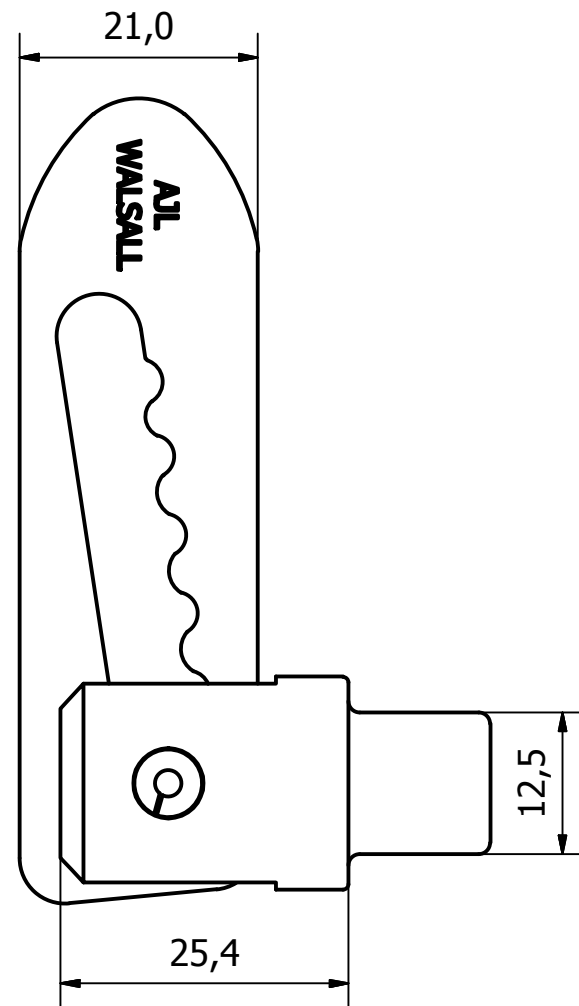
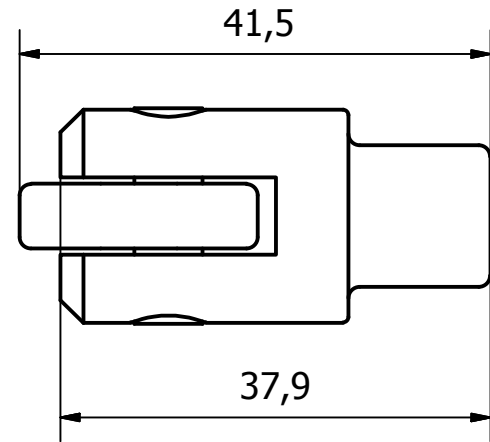


PARTS LIST			
ITEM	QTY	PART NUMBER	DESCRIPTION
1	1	3263-001-1	M/STEEL ANTILUCE COTTER
2	1	3232-001-1	M/STEEL ANTILUCE WELD ON BARREL



GENERAL TOLERANCES ON LENGTHS
0.5 - 6 ± 0.1mm
6 - 30 ± 0.2mm
30 - 120 ± 0.3mm
120 - 400 ± 0.5mm
400 - 1000 ± 0.8mm
1000 - 2000 ± 1.2mm
2000 - 4000 ± 2.0mm

REV	DESCRIPTION	DATE	APPROVED
1	VALIDATION COMPLETE	15/06/17	A.P

DRAWN BY	CHECKED BY	SCALE	MATERIAL	MASS	FINISH	Date	ALL DIMS IN MM UNLESS STATED DO NOT SCALE
U.F	A.P	1.5:1	-	0.095 kg	Z/C PASSIVATE	13/04/2017	A3

M/STEEL ANTILUCE FASTENER - WELD ON	
3232-001	Edition 1 / Sheet 1 / 1